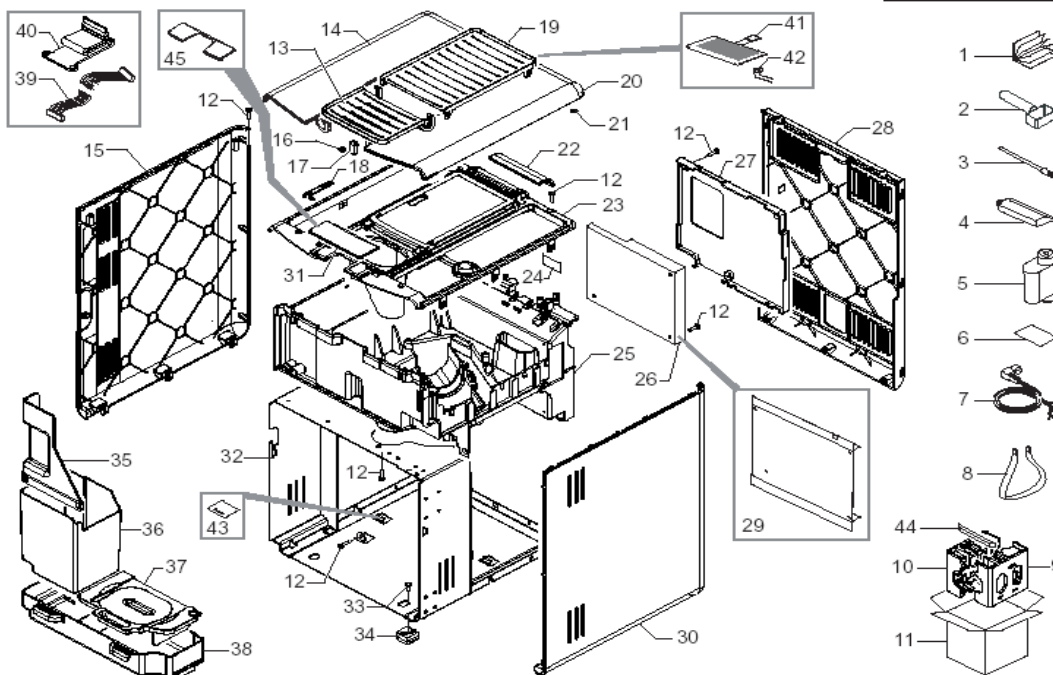
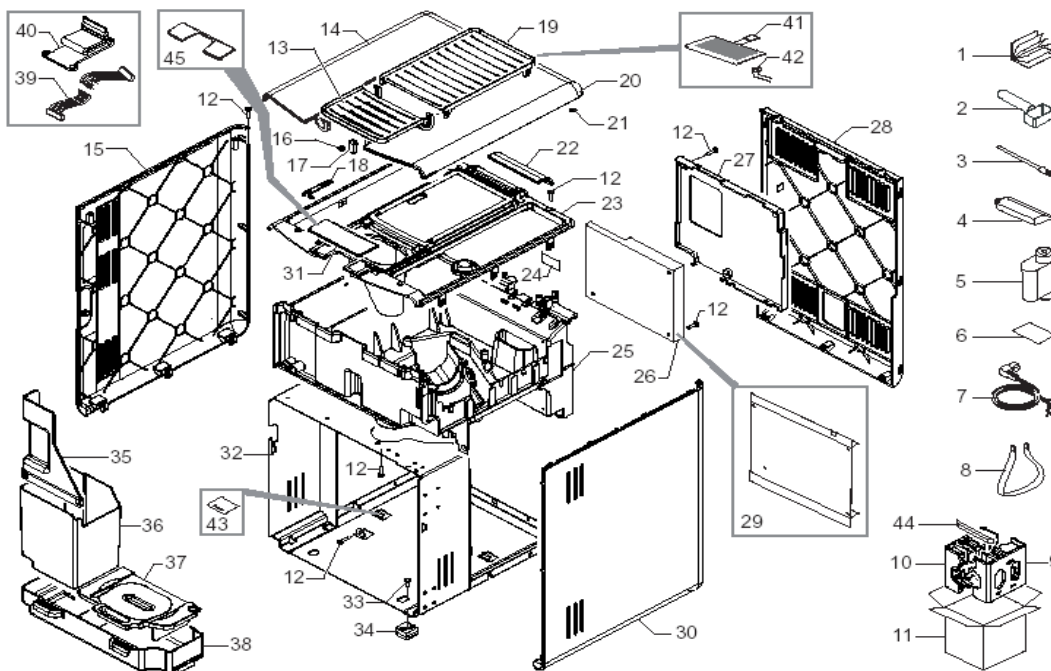


Xelsis SS



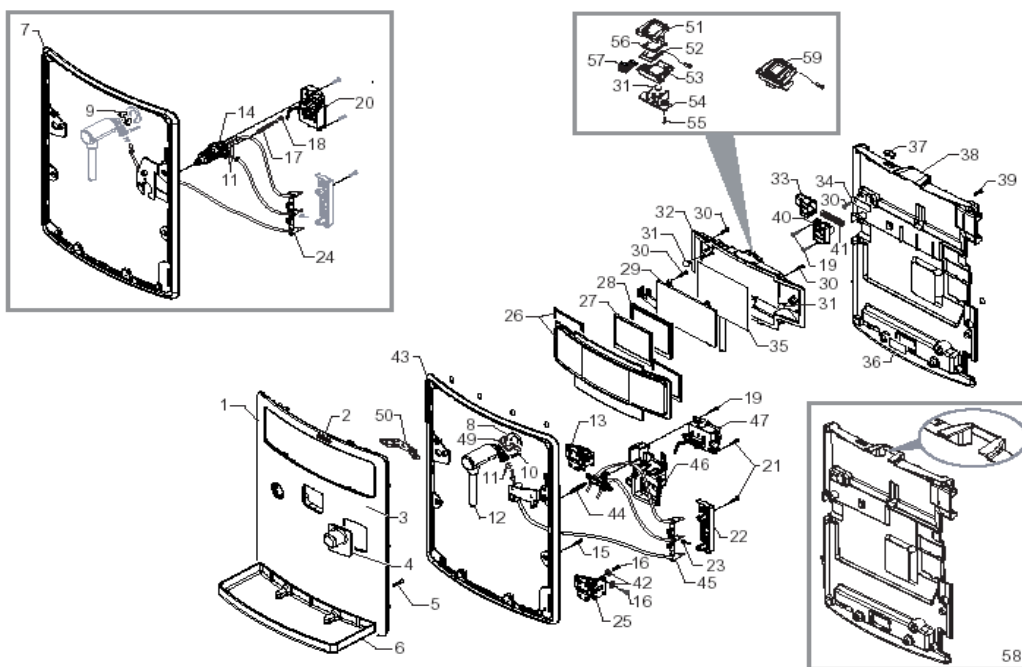
POS	SAECO No.	SUP038 Xelsis SS E74144 Rev.03 Code: 10003278	NOTES	Special Order No.
Yellow = Not Available unless Special Ordered				
1	#N/A	MANUAL SAE V2 SUP038 MYB9/H D/I		15002162
	#N/A	MANUAL SAE V2 SUP038 MYB9/H GB/F		15002163
	#N/A	MANUAL SAE V2 SUP038 MYB9/H E/P		15002164
	#N/A	MANUAL SAE V2 SUP038 MYB9/H NL/PL		15002165
	#N/A	MANUAL SAE V2 SUP038 MYB9/H CHN		15002166
	#N/A	MANUAL SAE SUP038Z MYB9/T D/I	ID	15001810
	#N/A	MANUAL SAE SUP038Z MYB9/T GB/F	ID	15001811
	#N/A	MANUAL SAE SUP038Z MYB9/T E/P	ID	15001812
	#N/A	MANUAL SAE SUP038Z MYB9/T NL/PL	ID	15001813
2	146680850	Scoop, Preground, Charisma		
3	41338	Brush, Cleaning, Metal		
4	11005044	Grease, Tube, 5 gram		
5	#N/A	ACC SAE BRITA WATER FILTER 1 UNIT EUR-ASIA		21001404
	#N/A	ACC SAE BRITA WATER FILTER 1UNIT AMERICA		21001120
6	2745250	Water Hardness Test Strips		
7	183911050	Power cable, Blk, L=1200		
	#N/A	PO.CABL.CH BLACK 3X1 H05VV-F L=1200		183930650
	183921950	Cord, Electrical, L 1200mm		
	#N/A	BLACK POWER CABLE AUSTRALIA L=1200		183940650
	#N/A	BLACK POWER CABLE KOREA 3X1 L=1200		11001985
	#N/A	BLACK POWER CABLE TAIWAN HVCTF L=1200		11004246
	#N/A	BLACK POWER CABLE RVV 3X1 CHINA L=1200		11004247
	#N/A	BLACK POWER CABLE JAPPON VCTF L=1200		17800024
8	#N/A	BAND FOR LIFTING L=1800 H=300 MM MYB9		13001097
9	#N/A	PS-E RIGHT INSERT FOR BOX MYB9/H-P		13000922
10	#N/A	PS-E LEFT INSERT FOR BOX MYB9/H-P		13000921
11	#N/A	DISPLAY BOX MYB9/H SAECO XELSIS SS		13000920
	#N/A	DISPLAY BOX MYB9/H SAECO XELSIS CLASS		13001110
	#N/A	DISPLAY BOX MYB9/T SAE XELSIS ID SS	ID	13001112
12	#N/A	SCREW TCBR TORX 10 3, 5X12 PLAST.ZN-N		12000450
13	11013210	Lid Assy, Preground, SB/SS, MYB9		
	#N/A	SM/SS GROUND CONT.DOOR COVER S/S.MYB9 ASSY	ID	11023203
14	11012148	Lid Assy, Water, SB/SS, MYB9		
	#N/A	BLACK WATER CONT.DOOR COVER MYB9 AS.		11013284
	#N/A	WHITE WATER CONT.DOOR COVER MYB9 AS.		11013302
	#N/A	SM/SS WATER CONTAIN.DOOR COVER MYB9 ASSY	ID	11023196
15	11013167	Panel Assy SS/SB, Left Side		
	#N/A	BLACK LEFT SIDE PANEL MYB9/T-H ASSY.		11013272
	#N/A	WHITE LEFT SIDE PANEL MYB9/T-H ASSY.		11013295
	#N/A	SM/SS LEFT SIDE PANEL MYB9/T-H ASSY.	ID	11023192
16	11022426	Spring, Water Container lever		
17	12001263	Push Button, Preground, MYB9		
18	11022425	Lever, Water Warning, Yellow		
19	#N/A	SB/SS CUP WARMING LID MYB9	UP TO S/N. 9010SA40026758	11012859
	17000071	Lid Assy, Cupwarming, SS/SB-MYB9	FROM S/N. 9010SA40026759	

Xelsis SS



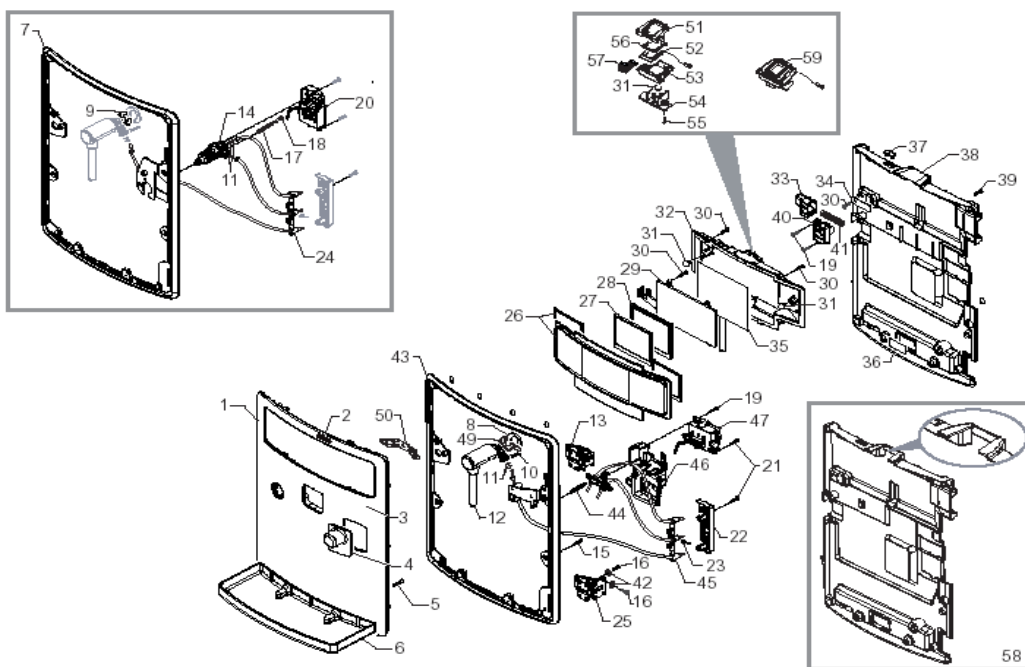
POS	SAECO No.	SUP038 Xelsis SS E74144 Rev.03 Code: 10003278	NOTES	Special Order No.
Yellow = Not Available unless Special Ordered				
19		SM/SS CUP WARMING LID MYB9 ASSY.	ID	11004244
20	11013149	Door Assy, Beans, SS/SB, MYB9		
		BLACK BEAN CONT.DOOR COVER MYB9 AS.		11013287
		WHITE BEAN CONT.DOOR COVER MYB9 AS.		11013304
		SM/SS BEAN CONTAIN.DOOR COVER MYB9 ASSY.	ID	11023198
21		TRANSPAR.ROUND ADHESIVE FOOT SJ-5382		12001330
22		SB/SS REAR COVER CASING INS.MYB9 ASSY.		11022809
		BLACK REAR COVER CASING INS.MYB9 ASSY.		11022821
		WHITE REAR COVER CASING INS.MYB9 ASSY.		11022820
		SM/SS REAR COVER CASING INSERT MYB9 ASSY	ID	11023105
23	17000205	Casing Top,Blk. W/Protech V2		
24	11000651	Board, Water Level Sensor		
25	11014017	Base, Central Plate Assy,Blk		
26	11021342	Power Board, 120V MYB9		
27		BLACK PWR BOARD COVER MYB9		11012035
28	11013065	Panel,Rear blk. w/logo		
29		INSULATE SHEET PWR ELECT BOARD MYB9 120V		11023304
30	11013166	Panel Assy SS/SB, Right Side		
		BLACK RIGHT SIDE PANEL MYB9/T-H ASSY.		11013259
		WHITE RIGHT SIDE PANEL MYB9/T-H ASSY.		11013293
		SM/SS RIGHT SIDE PANEL MYB9/T-H ASSY.	ID	11023191
31		SB/SS FRONT COVER CASING INS.MYB9/H AS.		11022805
		BLACK FRONT COVER CASING INS.MYB9/H AS.		11022807
		WHITE FRONT COVER CASING INS.MYB9/H AS.		11022806
32		BLACK STEEL CASING MYB9 ASSY.		11013170
33		BLACK RIGID FOOT FIXING PIN MYB9		11021769
34		BLACK/WHITE RIGID FOOT MYB9		11021829
35	11022527	Shield, Blk Dump Box, MYB9		
36	11013595	Dump Box Assy, Blk, BYB9		
37	11022169	Cover,Brew Group Drip Tray Blk		
38	11012777	Drip Try, Brew Group,Blk, MYB9		
39	11013128	Ribbon Cable, 40 Pole UL		
40	11013806	Strain Relief,Rubber,rib-cable		
41		ADESIVE HEATING-ELEMENT 100-120V		11000791
42		2POLES CONN.SUPPLY CUPWARMING G0053UL		11008844
43		INSULATE SHEET COMPONENTS SUPPORT 120V		17000007
44		PS-E INSERT FOR BOX MYB9	(ONLY XELISIS)	13001231
45		SM/SS FRONT COVER CASING INS.MYB9/TASSY	ID	11022804

Xelsis SS



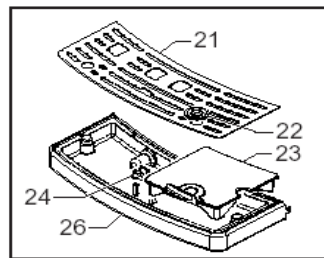
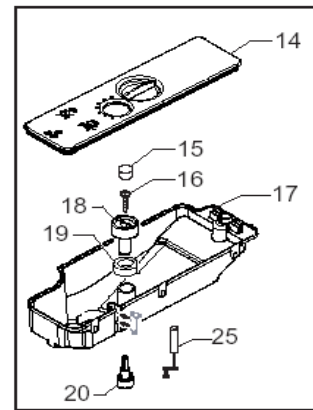
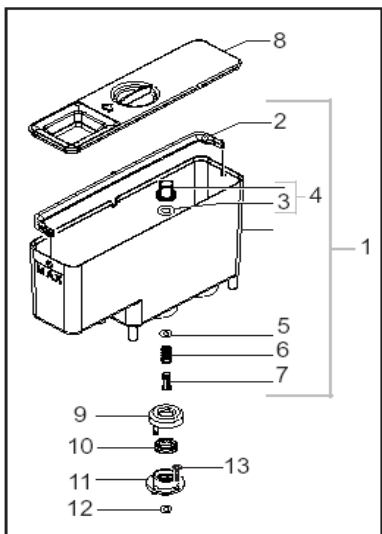
POS	SAECO No.	SUP038 Xelsis SS E74144 Rev.03 Code: 10003278	NOTES	Special Order No.
Yellow = Not Available unless Special Ordered				
1		SB/SS FRONTAL PANEL MYB9 ASSY.	UP TO S/N.9009SA40298916	11022728
	11023318	Panel Assy,Front SS/SB V2,MYB9	FROM S/N.9009SA40298917	
		BLACK FRONT PANEL N/S/SCREEN MYB9 ASSY.	UP TO S/N.9009SA40298916	11013277
		BLACK FRONTALPANEL V2 S/SCREEN MYB9ASSY.	FROM S/N.9009SA40298917	11023522
		WHITE FRONT PANEL N/S/SCREEN MYB9 ASSY.	UP TO S/N.9009SA40298916	11013298
		WHITE FRONTALPANEL V2 S/SCREEN MYB9ASSY.	FROM S/N.9009SA40298917	11023523
		SM/SS FRONTAL PANEL V2 MYB9 ASSY.	ID	11023319
2		ADHES.SILVER PLATE LOGO SAECO P0057		11011406
3		ADHES.SILVER PLATE LOGO XELSIS		11022725
4		CHROM.CONNECT.CAP FOR CARAFE MYB9ASSY.	UP TO S/N.9009SA40298916	11021449
	11024247	Cover, Outlet Carafa, Chrome	FROM S/N. 9009SA40298917	
5		SCREW TSP TORX 10 5X35 PLAST.SS		12001369
6	11012831	Support Drip Tray Blk,MYB9/H-P		
		BLACK DRIP TRAY SUPPORT MYB9/T	ID	11022386
7		CHROMED ZAMA FRONT FRAME MYB9	UP TO S/N.9009SA40298916	11013143
8		STEAM TUBE WASHER P0049		11001624
9	90001042	Spring, Folk, Italia	UP TO S/N.9010SA40036480	
10	9011144	Clip, Hairpin, Teflon Tube		
11	140328059	O-Ring, Silicone, 2015	UP TO S/N.9009SA40298916	
12		TF/CHROM.STEAM TUBE MYB9 ASSY.		11013244
13		DOOR UPPER HINGE MYB9		11013215
14		BLACK CONNECTOR V2 FOR CARAFE MYB9	UP TO S/N.9009SA40298916	11022860
15		SCREW TCBR TORX 20 4X10 PLAST.SS		12001430
16		SCREW TCB PH/TT 4X8 UNI 8112 SS		129573221
17		STEEL SPRING FOR CARAFE CONNECT. MYB9	UP TO S/N.9009SA40298916	11022870
18		BRASS INSE. FOR SPRING CARAFE CON.MYB9	UP TO S/N.9009SA40298916	11022853
19		SCREW TCBR TORX 10 3,5X12 PLAST.ZN-N		12000450
20		BLK CARAFFE BOARD SUPPORT GEN.MYB9ASSY.	UP TO S/N.9009SA40298916	11014015
21		SCREW TCB TORX 10 3X12 PLAST.SS		12001431
22		BLACK TEFLON TUBES SUPP. COVER MYB9		11013784
23		TEFLON TUBES SUPPORT SPRING MYB9		11013785
24		PREFORMEDTEFLONTUBESSUPPORTMYB9ASSY	UP TO S/N.9009SA40298916	11021692
25		DOOR LOWER HINGE MYB9		11013216

Xelsis SS



POS	SAECO No.	SUP038 Xelsis SS E74144 Rev.03 Code: 10003278	NOTES	Special Order No.
Yellow = Not Available unless Special Ordered				
26	20006820	Kit,Front Panel Display Blk	COMPLETE	
27	12001261	Display, 320x240 No Touch		
28	11013226	Seal Display, Blk- MYB9/T-H		
29		BLACK DISPLAY SUPPORT MYB9/T-H		11012889
30		SCREW TCB TORX 10 3X8 PLAST.ZN-B		129913202
31	149450588	Valve, Silicone Ball		
32		BLACK CPU BOARD COVER MYB9/T-H	UP TO S/N.9009SA40298916	11012377
		BLACK CPU BOARD COVER V2 MYB9/T-H	FROM S/N.9009SA40298917	17000014
33	11014215	Button,Blk, Front Door release		
34		GALV.PLATE FOR DOOR CLOSURE MYB9		11021976
35	11013196	CPU+SW Assy. MYB9/T-H		
36	11000651	Board, Water Level Sensor		
37	11001339	Transplate, Infrared		
38		BLK INSIDE COVER FRON.PANEL S/SCR.MYB9/H	UP TO S/N.9009SA40298916	11022583
		BLK INSIDE COVER FRON.PANEL V2 S/S.MYB9H	FROM S/N.9009SA40298917	17000021
39		SCREW TCB TORX 10 3,5X14 PLAST.SS		129912521
40	11014218	Cover,Button front door releas		
41	11021747	Spring, Button F-door release		
42		GALV.WASHER UNI 8842 A4		128310402
43		CHROMED ZAMA FRONT FRAME V2 MYB9	FROM S/N.9009SA40298917	11023393
44		TWO WAY TEFLON TUBES SUPPORT SPRING MY	FROM S/N.9009SA40298917	17000006
45	11023352	Support Assy,Teflon tubes/Pref	FROM S/N.9009SA40298917	
46		BLACK DISPLAY INSERT V2 GMYB	FROM S/N.9009SA40298917	11023251
47	11023423	Board Assy V2, Caraffe Blk	FROM S/N.9009SA40298917	
48		TRANSPAR.ROUND ADHESIVE FOOT SJ-5382		12001330
49		FOLK SPRING MYB9 ASSY.	FROM S/N. 9010SA40036481	17000043
50		BRONZE SPRING FOR FRONT CASING G0053	FROM S/N. 9010SA40036481	11006740
51		BLACK FINGER PRINT COVER MYB9/T	ID	11012830
52		PARTICULAR NOT AVAILABLE	ID (SEE PART.N°59)	
53		BLK LOWER FINGERPRINT V2 SENSOR SEAL MYB9/T	ID	17000074
54		BLACK FINGER PRINT SUPPORT MYB9/T	ID	11013309
55		SCREW TCB TORX10 2,5X8 PLAST.ZN-B	ID	129913702
56		BLACK V2 FINGERPRINT SENSOR SEAL MYB9/T	ID	17000035
57		PARTICULAR NOT AVAILABLE	ID (SEE PART.N°59)	
58		BLK INSIDE COVER FRON.PANEL V2 S/S.MYB9T	ID	17000022
59		KIT SPARES FINGERPRINT SENSOR MYB9/T	ID	20006871
		WITH PART. N°31-51-52-53-54-55-56-57		

Xelsis SS



POS	SAECO No.	SUP038 Xelsis SS E74144 Rev.03 Code: 10003278	NOTES	Special Order No.
Yellow = Not Available unless Special Ordered				
1	11013212	Water container Assy, Nat/Gray		
2		BLACK HANDLE WATER CONTAINER LID MYB9		11012738
3	90001004	O-Ring, Metric, Epdm, 0019-10		
4	90001003	Filter, Water Tank		
5	NM01032	O-Ring, Rubber, 0060-30, Orm		
6	90001006	Spring, Water Tank Valve		
7	90001007	Piston, Water Tank Valve		
8	11022127	Lid, Water Container, Nat/Gray		
9	701031150	Cover, Wtr Tnk Valve, Inlet		
10	145842900	Gasket, Water Tank,		
11	701014150	Flange, Water Tank Valve		
12	NM02004	O-Ring, Epdm, 0080-20, Orm		
13		SCREW TSP TORX 10 3,5X9,5 SHEET SS		129535721
14		SPARES KIT BEAN COFFEE CONT.LID V2 MYB9	UP TO S/N.9010SA40120165	20006842
	17000202	Lid Bean Cont Assy V2,Nat/Gray	FROM S/N.9010SA40120166	
15	149213059	Cap, Knob, Grey		
16		SCREW TCB TORX 10 3X12 PLAST.ZN-B		129913902
17		SPARES KIT BEAN COFFEE CONTAINER V2 MYB9	UP TO S/N.9010SA40120165	20006843
		BLACK BEAN CONTAINER V2 MYB9	FROM S/N.9010SA40120166	17000194
18		BLACK GRIND.ADJUSTMENT KNOB MBY9		11012852
19		WASHER FOR GRIND.ADJUSTM. KNOB MBY9		11022528
20	145897300	Adjustment Gear, Coffee Doser		
21	11022803	Grill SS,Drip Tray V2-MYB9/H-P		
		SS DRIP TRAY GRATE MYB9/T	ID	11022385
22	17000147	Seal V3 blk,Grill/Carafe		
23	11022802	Tray V2 Blk,Grill/Carafe		
		BLACK DRIP TRAY COVER MYB9/T	ID	11022384
24	11005388	Float, Drip Tray, Red Primea R		
		RED FLOAT FOR DRIP TRAY MDS	ID	17000001
25	17800061	Sensor, 2 Pole, V2 UL		
26	11013214	Drip Try Assy, Blk, SB/SS		
		BLACK/BLACK DRIP TRAY MYB9/H-P ASSY.		11013281
		WHITE/BLACK DRIP TRAY MYB9/H-P ASSY.		11013300
		SM/SS-BLACK DRIP TRAY MYB9/T ASSY.	ID	11022389

