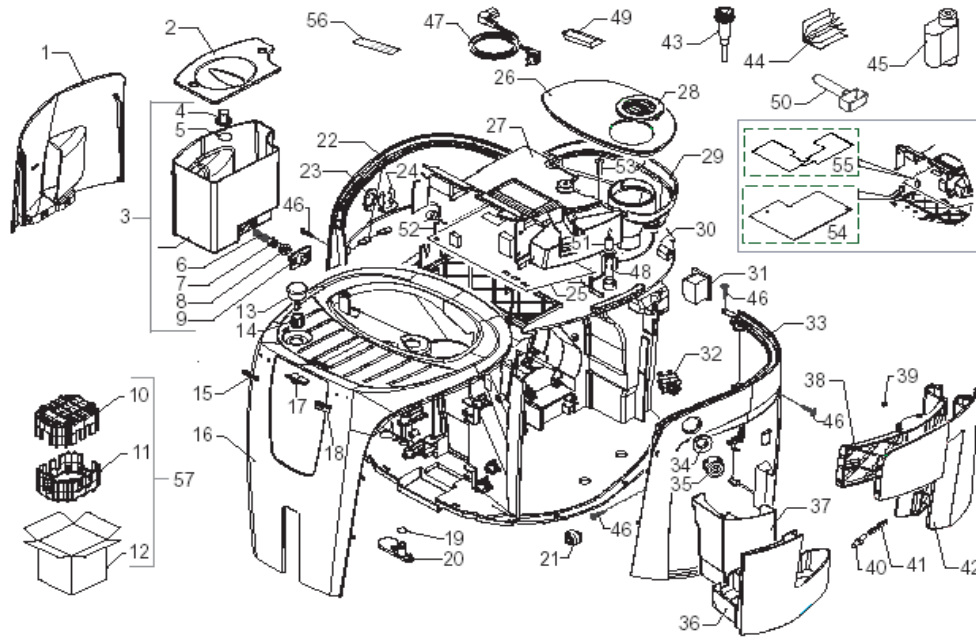


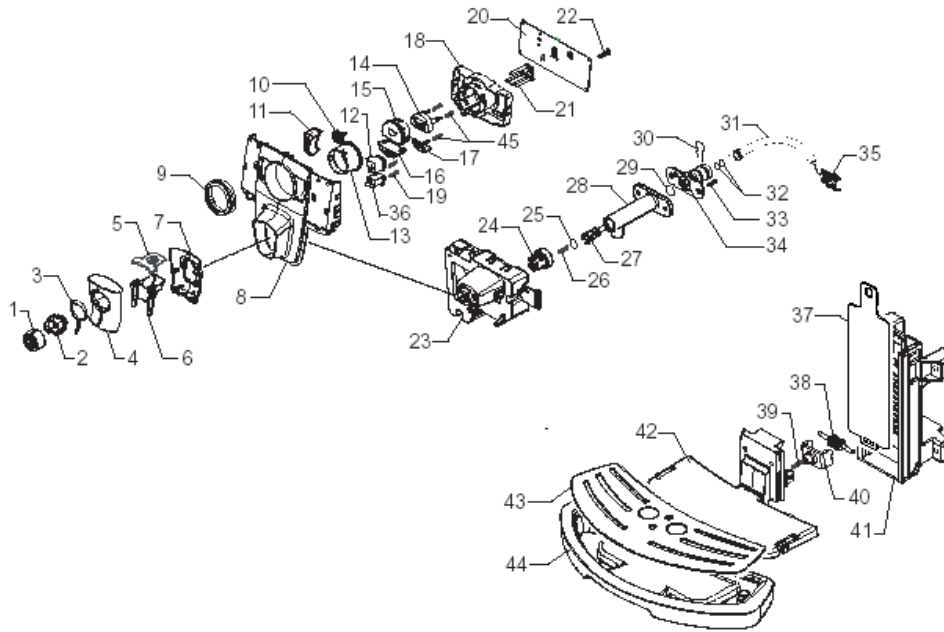


# Talea Giro Plus V2



POS	SAECO No.	SUP032OR Talea Giro Plus V2 E74133 Rev. 03 Code: 10002863	NOTES	Special Order No.
<b>Yellow = Not Available unless Special Ordered</b>				
33	11004066	Right Side Panel, Silver P0053		
34	11004072	On-Off Button Insert, Silver		
35	11004056	Button, On-off, Chrome		
36	11004083	Drip Tray, Brew Group, TR+		
	11004082	Drip Tray, Silver, P0053		
37	11003533	Dump Box, Black		
38	11001659	Inside Cover Door, Black		
	#N/A	BLACK INSIDE COVER DOOR P0053 UL		11009285
39	#N/A	MAGNET FOR FLOAT SUPERAUTOM.		9161.111
40	#N/A	BLACK DOOR PIN P0049		11001340
41	#N/A	SS SPRING FOR LOCK DOOR G0053		11008956
42	11004085	Right Side Door, TR +		
	11004084	Door, Silver P0053		
43	11003785	Grinder Adjustment Key, Black		
44	#N/A	MANUAL INSTRUCTIONS SAECO P0053/A D/I		15001565
	#N/A	MANUAL INSTRUCTIONS SAECO P0053/A E/P		15001571
	#N/A	MANUAL INSTRUCTIONS SAECO P0053/A GB/E		15001566
	#N/A	MANUAL INSTRUCTIONS SAECO P0053/A NL/PL		15001572
	#N/A	MANUAL INSTRUCTIONS SUP032OR CHN		15001650
45	21000961	Filter, Brita 1 unit		
	#N/A	ACC SAE BRITA WATER FILTER 1UNIT AMERICA		21001120
	#N/A	ACC SAE BRITA WATER FILTER 1 UNIT ASIA		21001123
46	129914102	Screw K, 35x12 Win1423 Galv.		
47	#N/A	PO.CABL.CH BLACK 3X1 H05VV-F L=1200		183930650
	183911050	Power cable, Blk, L=1200		
	#N/A	BLACK POWER CABLE AUSTRALIA L=1200		183940650
	183921950	Cord, Electrical, L 1200mm		
	#N/A	BLACK POWER CABLE TAIWAN HVCTF L=1200		11004246
	#N/A	BLACK POWER CABLE RVV 3X1 CHINA L=1200MM		11004247
	#N/A	POWER CABLE JAPPON VCTF BLACK L=1200 MM		183980650
	#N/A	BLACK POWER CABLE KOREA 3X1 L=1200		11001985
	#N/A	BLACK POWER CABLE BRAZIL W/CONNECT.L=1200		11004245
	#N/A	BLACK REED SENSOR SUPPORT P0049		11003154
49	11005044	Grease, Tube, 5 gram		
50	146680850	Scoop, Preground, Charisma		
51	11003661	DISCONTINUED, 2 Pole Conn		
52	#N/A	SCREW TCB TORX 10 3X8 PLAST.ZN-B		129913202
53	#N/A	SCREW TCB TORX 3,5X30 PLAST.ZN-B		129661702
54	#N/A	LWR INSULATE SHEET PWR ELECT.BOARD P0053	(ONLY 120V)	11006567
55	#N/A	UPP.INSULATE SHEET PWR ELECT.BOARD P0053	(ONLY 120V)	11007234
56	2745250	Water Hardness Test Strips		
57	20006664	Box, Odea		

# Talea Giro Plus V2

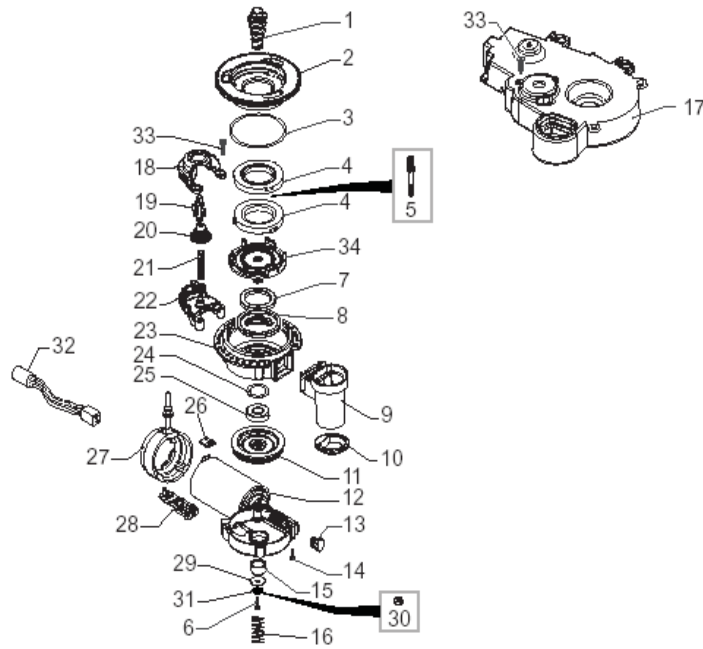


POS	SAECO No.	SUP032OR Talea Giro Plus V2 E74133 Rev. 03 Code: 10002863	NOTES	Special Order No.
<b>Yellow = Not Available unless Special Ordered</b>				
1	11007378	Knob, Cream Adi, V2, Chr/Plat		
2	11007420	Coffee Dispenser, Internal Con		
3	11002110	Lens, Dispenser, Ambra P0053		
4	11004208	Cover, Dispensing Head, Chrome		
5	11002111	Lid, Dispensing Head, Blk, P0053		
6	11002049	Coffee Dispenser Body, P0053		
7	11004119	Cover, Rear Coffee Dispenser		
8	11005515	Panel, Front, Silk Screen		
9	#N/A	CHROMED HEIGHT REGULATION NUT P0049		11004100
10	#N/A	BLACK GEAR Z=19 FOR P0049		11001320
11	11002064	Button, Alarm, Blk, P0053/A		
12	#N/A	BLACK BUTTON V2 FOR WATER P0053/A		11010406
13	#N/A	BLACK SUPPORT FOR RING NUT P0053		11002061
14	#N/A	BLACK COFFEE BUTTON SPACER P0053/A		11002066
15	11001354	Button, Coffee, Blk P0049/B		
16	#N/A	BLACK COFFEE DOSE BUTTON V2 P0049/B		11010388
17	#N/A	BLACK COFF DOSE BUTTON SPACER V2 P0053/A		11010433
18	11002062	Button Support, Blk, P0053/A		
19	#N/A	TRANSPAR.INSERT FOR WATER BUTTON P0053		11005689
20	#N/A	AS.CPU+SW V3 P0053/A		11010316
21	#N/A	TRANSPARENT CAP LED COVER V2 P0053/A		11010408
22	#N/A	SCREW TCB TORX 10 3X8 PLAST.ZN-B		129913202
23	11002112	Brow Support, Black		
24	149198700	Support, Adjustment Knob, SBS		
25	140326661	O-Ring, Metric 00ar40-20, EPDM		
26	126772518	Spring, Adjustment Dial, SBS		
27	140640200	Dispensing Shaft, SBS		
28	11000290	Coffee Dispensing Chute		
29	12000070	O-Ring, Silicone, 0060-15		
30	9011144	Clip, Hairpin, Teflon Tube		
31	11001766	Tube, Teflon 2X4 L+125 MM Assy		
32	140328059	O-Ring, Silicone, 2015		
33	#N/A	SCREW TCB TORX 10 3,5X12 PLAST.GALVANIZ		12000450
34	11002130	Fast Lock Connection		
35	11001337	Tube, Teflon, Insert Blk P0049		
36	#N/A	BLACK DECALCIFICAT.BUTTON P0053/A S/SCR.		11011238
37	#N/A	SPECCHIATO DRIP TRAY PROTECTION V2 P0049		11007037
	#N/A	TITANIO DRIP TRAY PROTECTION V2 P0049		11008166
38	11001758	Pin With Blk Insert Assy, P0049		
39	11001364	Spring, Drip Tray, P0049		
40	11001335	Bracket, Spring Drip Tray, Blk		
41	11002033	Guide, Drip Tray, Blk P0053		
42	11004092	Support, Drip Tray, Carbon,		
43	#N/A	SB/STAINLESS STEEL GRATE P0053		11010389
44	11004093	Drip Tray, Carbon, P0053		
45	#N/A	SPRING FOR BUTTONS P0053/A		11002068





# Talea Giro Plus V2



POS	SAECO No.	SUP032OR Talea Giro Plus V2 E74133 Rev. 03 Code: 10002863	NOTES	Special Order No.
<b>Yellow = Not Available unless Special Ordered</b>				
1	9141001	Worm Gear, Grinder	UP TO S/N. 9008SA40315750	
	#N/A	TEA/ZAMA INCREASE SCREW GRINDER	FROM S/N. 9008SA40315751	11011205
2	149198250	Support, Upper Grinder		
3	140328960	O-Ring, Metric, Epdm, 0530-15		
4	146520100	Grinder Burr, Ceramic,		
5	127473603	Pin, Steel M4-M6	UP TO S/N. 9008SA40315750	
6	#N/A	SCREW TCB TORX 20 M4X30 ZN-B	FROM S/N. 9008SA40315751	129574802
7	123030300	Bearing, Axial EKKO 342.35252		
8	140360500	Felt Ring, 45,4x39,4x4		
9	222870250	Pre-Ground Chute		
10	145854462	Gasket, Dosing Chamber		
11	226000300	Gear, Grinder Motor		
12	#N/A	MOTOR COFFEEGRINDER/V3.1 ASSY		11000511
13	#N/A	CAP FOR WORM SCREW MC/V3 CENTRING		149214800
14	#N/A	SCREW TCB TORX 3,5X30 PLAST.ZN-B		129661702
15	11002873	Bushing Insulator, Grinder Mot.		
16	11000597	Spring, Coffee Grinder Support		
17	11001826	Cover, Grinder, (Soundproof)		
18	#N/A	UPPER GEAR SUPPORT COFFEEGRINDER P124		11002508
19	11003446	Insert, Coffee Grinder, Black		
20	#N/A	COFFEE GRINDING ADJUSTMENT GEAR P0049		11003784
21	#N/A	GRINDER REGULATION SPRING P124		11002572
22	#N/A	LOWER GEAR SUPPORT COFFEEGRINDER P124		11002613
23	142905450	Outlet, Upper Body		
24	#N/A	CRINKLE WASHER 21,8X15,8X0,2		128381800
25	#N/A	RADIAL BEARING 61900.2RS1		123030200
26	181540900	Electronic Board, With Sensor		
27	11001367	Support, Rubber Blk, Coff Grind		
28	149199050	Sensor Support, Grinder Motor		
29	#N/A	GALVAN.FLAT WASH.DI=4,3 DE=14 SP=1,5		128381902
30	123453102	Nut, Self-Lock, M4 Din 982	UP TO S/N. 9008SA40315750	
31	#N/A	GALV.WASHER UNI 8842 A4	FROM S/N. 9008SA40315751	128310402
32	11005658	5-Pole Connector, 100V-120V		
33	#N/A	SCREW TCB TORX 10 3,5X16 PLAST.ZN-B		129914002
34	#N/A	LOWER GRINDER SUPPORT COFFEEGRINDER		149198350
	11005606	General Motor Assy V2 P0049		



