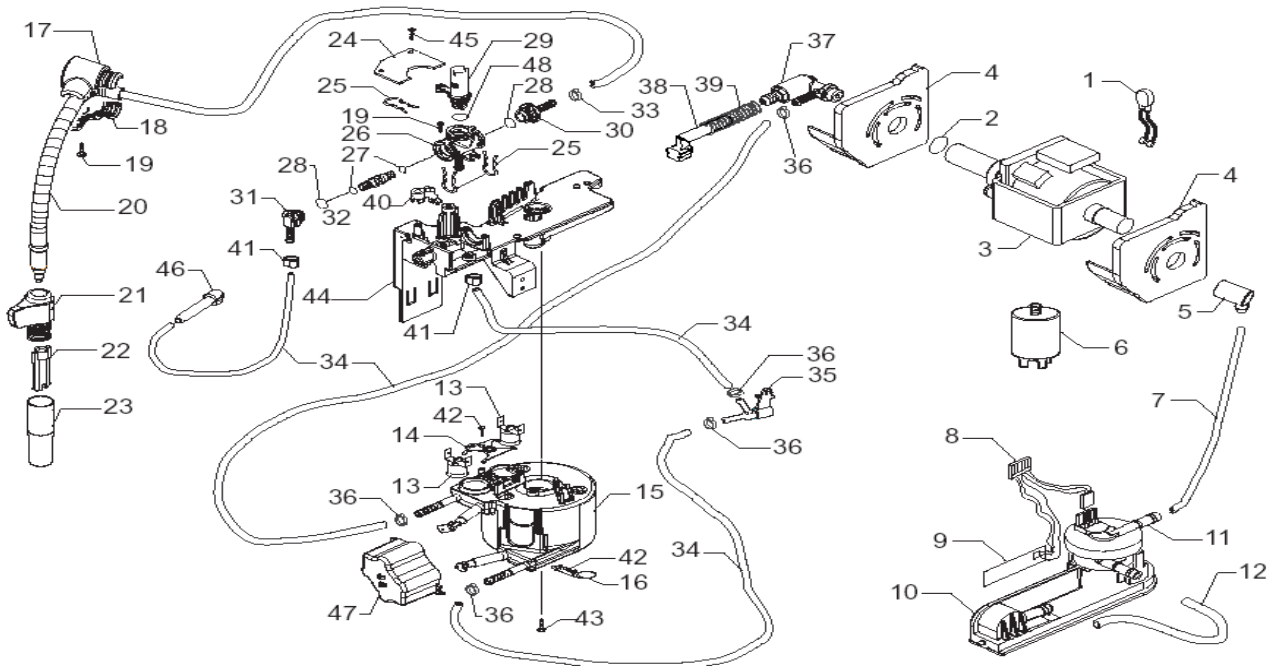








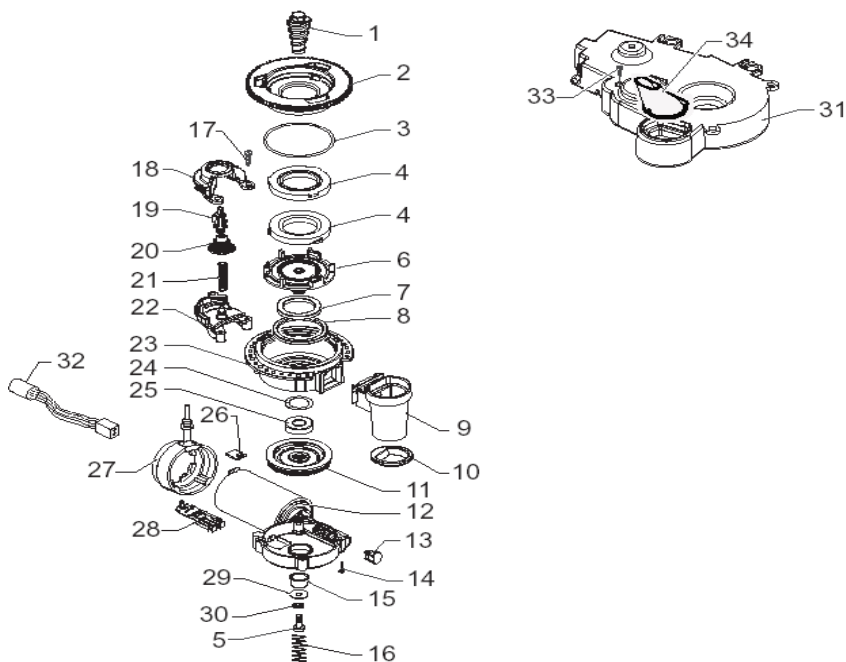
# Odea Go



POS	SAECO No.	SUP0310 Odea Go E74102 Rev. 08 Code: 10001592	NOTES	Special Order No.
<b>Yellow = Not Available unless Special Ordered</b>				
1	#N/A	<b>2POLES CONNECTOR PUMP P0049 UI</b>		11005668
2	140321961	O-Ring, Epdm, 2031	WITH PART. N°37	
3	187721455	Pump, Ulka, 120V, 60HZ		
4	11001365	Pump Support, Black		
5	147920150	Fitting, 90o, Pump Inlet		
6	12000005	Anti-Disturbance Filter		
7	12000007	Powerfilter, 120V		
8	149360200	Tube, Silicone, D=8x10		
9	11005648	6-Pole Connector, Flowmeter		
10	11000651	Board, Water Level Sensor		
11	#N/A	<b>BLACK TURBINE SUPPORT/V2 P0049</b>		11003670
12	12000781	Turbine Assy,D=1,2 932-8521/90		
13	#N/A	<b>SILICONE TUBE 5X10 60 SHORE</b>		JS01.022
14	189428600	Thermostat, 175o, Sirius		
15	#N/A	<b>THERMOSTATES SPRING FOR BOILER</b>		11001751
16	#N/A	<b>ALUM.BOILER/V4 ASSY. 120V-1300W</b>		11011342
17	190800100	Temperature Sensor, L=280mm		
18	11004196	Cover, Upper Steam Tube, Chrom		
19	11004197	Cover, Lower Steam Tube, Chrom		
20	129912202	Screw, M3x12, Torx, Uni 9786		
21	11003122	Steam Tube Assv, P0049		
22	11001625	Handgrip, Steam Wand, Talea Odea		
23	11001620	Internal Tube, Pannarello Blk		
24	11001769	Pannarello, Cover, Blk P0049/A		
25	20000653	Spare Kit, CPU P0049	UP TO S/N. 9006SA40301265	
		WITH PA.N°14 TA.2		
	11004842	Pcb, Valve, Stm/Water V1-V5	FROM S/N. 9006SA40301266	
26	11001499	Spring, Fork, Faucet P0049		
27	11004625	Faucet, P0049		
28	12000890	O-Ring, Blk, 2012, FDA 70SH		
29	12000042	O-ring, 108, FDA, 70 SH		
30	11004135	Faucet Shaft Assy		
31	11001546	Straight Connector, Faucet Bod		
	11001544	Connector, Faucet Body		

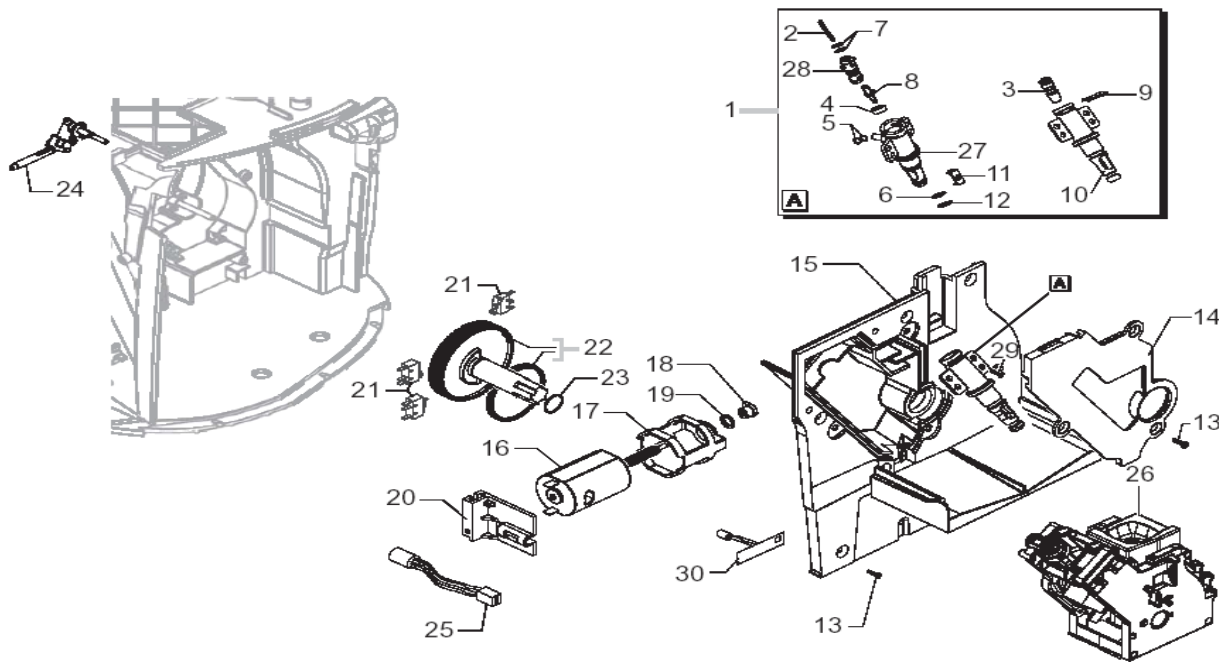


# Odea Go



POS	SAECO No.	SUP0310 Odea Go E74102 Rev. 08 Code: 10001592	NOTES	Special Order No.
<b>Yellow = Not Available unless Special Ordered</b>				
1	#N/A	TEA/ZAMA INCREASE SCREW GRINDER		11011205
2	149198250	Support, Upper Grinder		
3	140328960	O-Ring, Metric, Epdm, 0530-15		
4	146520100	Grinder Burr, Ceramic,		
5	#N/A	SCREW TCB TORX 20 M4X30 ZN-B		129574802
6	#N/A	LOWER GRINDER SUPPORT COFFEEGRINDER		149198350
7	123030300	Bearing, Axial EKKO 342.35252		
8	140360500	Felt Ring,45,4x39,4x4		
9	222870250	Pre-Ground Chute		
10	145854462	Gasket, Dosing Chamber		
11	226000300	Gear, Grinder Motor		
12	11000511	Motor Coffee grinder/Assy 120V		
13	#N/A	CAP FOR WORM SCREW MC/V3 CENTRING		149214800
14	#N/A	PANELVIT TCB SCREW 3,5X25 D.7505 ZN		129661702
15	11002873	Bushing Insulator,Grinder Mot.		
16	11000597	Spring, Coffee Grinder Support		
17	80001013	PANELVIT TCB SCREW 3,5X18 D.7505 Z		
18	#N/A	UPPER GEAR SUPPORT COFFEEGRINDER P124		11002508
19	#N/A	BLACK INSERT FOR COFFEE GRINDER P0049		11003446
20	#N/A	COFFEE GRINDING ADJUSTMENT GEAR P0049		11003784
21	#N/A	GRINDER REGULATION SPRING P124		11002572
22	#N/A	LOWER GEAR SUPPORT COFFEEGRINDER P124		11002613
23	142905450	Outlet,Upper Body		
24	#N/A	CRINKLE WASHER 21,8X15,8X0,2		128381800
25	#N/A	RADIAL BEARING 61900.2RS1		123030200
26	181540900	Electronic Board, With Sensor		
27	11001367	Support, Rubber Blk, Coff Grind		
28	149199050	Sensor Support, Grinder Motor		
29	#N/A	GALVAN FLAT WASH.DI=4,3 DE=14 SP=1,5		128381902
30	#N/A	GALV.WASHER UNI 8842 A4		128310402
31	11001826	Cover, Grinder, (Soundproof)		
32	11005658	5-Pole Connector		
33	#N/A	SCREW TCB TORX 10 3,5X16 PLAST.ZN-B		129914002
34	11004199	Aerator Chute, Blk, P0049		
	11005606	General Motor Assy V2 P0049		

# Odea Go



POS	SAECO No.	SUP0310 Odea Go E74102 Rev. 08 Code: 10001592	NOTES	Special Order No.
<b>Yellow = Not Available unless Special Ordered</b>				
1	11005060	Boiler Pin Assembly		
2	9011132	Spring, Boiler Pin		
3	11000692	Cap, For Pin, For Boiler P119	UP TO S/N.9007SA40001046	
4	145841200	Viton Seal, For Piston		
5	140328059	O-Ring, Silicone, 2015		
6	NM01035	O-Ring, Silicone, 0090-20		
7	140324459	O-Ring, Silicone, 0060-20		
8	227660103	Needle valve, L=20	WITH PART. N°04	
9	9011144	Clip, Hairpin, Teflon Tube	UP TO S/N.9007SA40001046	
10	147473300	Pin For Boiler	UP TO S/N.9007SA40001046	
11	#N/A	M CURSOR FOR BOILER VALVE IN PLASTIC	UP TO S/N.9007SA40001046	9011.099
12	#N/A	CURSOR V2 FOR BOILER P119	FROM S/N 9007SA40001047	11005099
13	129914102	Screw K, 35x12 Win1423 Galv.		NM01.057
14	11001312	Cover Vain Boiler P0049, Black		
15	#N/A	BLACK COVER FOR VAIN BOILER P0049 UL		11009284
16	11006337	Cover, Mounting Plate, Blk, Assy		
17	#N/A	BLACK COVER MOUNTING PLATE P0049 UL ASSY		11009287
18	286892555	Brew Drive Motor Assy, 33DC		
19	80001008	Antivibration, Brew Drive Mtr		
20	#N/A	SINTERED BUSH FOR MOTOR		9121.046
21	148380200	Washer, Vspresso, D=5		
22	#N/A	BLACK MICROS.W. SUPPORT DUMP BOX P0049		11001331
23	NE05038	Switch, Brew/Dump, Magic		
24	20000455	Kit, Gears, Ratiomotor	UP TO S/N. 9007SA40457510	
25	20000900	Kit, Gears, Ratiomotor, V2	FROM S/N. 9007SA40457511	
26	91611320	Washer, Brew Drive Motor, Myla		
27	11004685	Coffee Dispensing Valve Assy	UP TO S/N. 9006SA40292687	
28	#N/A	V3 COFFEE DISPENSING VALVE P0049 ASSY.	FROM S/N. 9006SA40292688	11007647
29	#N/A	Reed Sensor, 100-120V		11003661
30	11005921	Brew Group, Blk, 8GM, V2	See Page 8 E90060	
	11003801	Pin, Boiler, V2 P119	FROM S/N 9007SA40001047	
	11003820	Cap, Pin Boiler, V2, P119	FROM S/N 9007SA40001047	
	#N/A	TCB SCREW 3,5X18 PLASTITE 45°		129661902
	11000651	Board, Water Level Sensor	UP TO S/N. 9007SA40457510	

