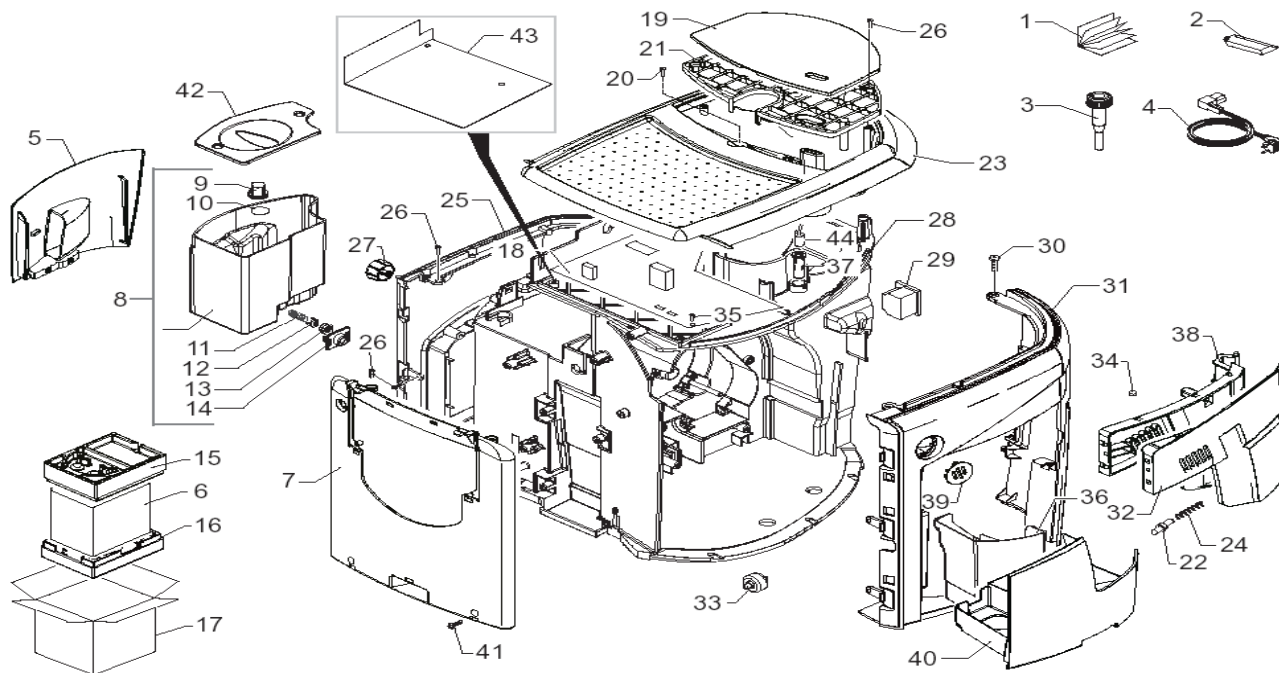


# Espresso Italiano



| POS  | SAECO No. | SUP035DR / SUP035 Espresso Italiano<br>E74138 Rev.02<br>Code: 10002735 | NOTES          | Special Order No. |
|--|-----------|--|----------------|-------------------|
| <b>Yellow = Not Available unless Special Ordered</b> |           |  |                |                   |
| 1  | #N/A      | INSTRUCTIONS MANUAL SAE S0053/C GB/F/E                                 |                | 15001649          |
|  | #N/A      | INSTR.MANUAL SAECO S0053/A GB/F/E/P/CHN                                |                | 15001689          |
| 2  | 11005044  | Grease, Tube, 5 gram   |                |                   |
| 3  | 11003785  | Grinder Adjustment Key, Black  |                |                   |
| 4  | 183911050 | Power cable, Blk, L=1200   |                |                   |
|  | 183921950 | Cord, Electrical   |                |                   |
|  | #N/A      | BLACK POWER CABLE TAIWAN HVCTF L=1200                                  |                | 11004246          |
|  | #N/A      | BLACK POWER CABLE RVV 3X1 CHINA L=1200MM                               |                | 11004247          |
| 5  | #N/A      | BLACK WATER TANK OUTLET COVER G0053                                    |                | 11007279          |
|  | #N/A      | SILVER WATER TANK OUTLET COVER G0053                                   |                | 11009829          |
| 6  | #N/A      | CARTON INSERT FOR BOX S0053  |                | 13000695          |
| 7  | #N/A      | BLACK FRONT CASING S0053   |                | 11008537          |
|  | #N/A      | SILVER FRONT CASING S0053  |                | 11009809          |
| 8  | 11002017  | Water Tank, Talea Ring +   |                |                   |
| 9  | 90001003  | Filter, Water Tank   | WITH PART.N°10 |                   |
| 10   | 90001004  | O-Ring, Metric, Epdm, 0019-10  |                |                   |
| 11   | 11003672  | Spring, Water Tank Valve P0049   |                |                   |
| 12   | 11003673  | Valve, Insert, Water Tank  |                |                   |
| 13   | 11003671  | Valve, Water Tank,   |                |                   |
| 14   | 11001298  | Lid, Duckbill Valve, Blk   |                |                   |
| 15   | #N/A      | PS-E UPPER INSERT FOR BOX S0053  |                | 13000640          |
| 16   | #N/A      | PS-E LOWER INSERT FOR BOX S0053  |                | 13000631          |
| 17   | #N/A      | FLEXOGRAPHATE BOX S0053 SAECO ESPRES IT                                |                | 13000854          |
| 18   | #N/A      | CPU+SW AS.P0057 POP 120V   |                | 11006345          |
| 19   | #N/A      | TRANS/GREY BEAN COFFEE CONTAIN.LID S0053                               |                | 11008531          |
| 20   | #N/A      | SCREW TCB TORX 3,5X30 PLAST.ZN-B                                       |                | 129661702         |
| 21   | #N/A      | NATUR/GREY BEAN CONTAINER PROTECT.S0053                                |                | 11008533          |
| 22   | #N/A      | BLACK DOOR PIN P0049   |                | 11001340          |
| 23   | #N/A      | SILVER COVER CASING S0053  |                | 11008786          |
|  | #N/A      | BLACK COVER CASING S0053   |                | 11009807          |
| 24   | #N/A      | SS SPRING FOR LOCK DOOR G0053  |                | 11008956          |
| 25   | #N/A      | BLACK LEFT SIDE CASING G0053   |                | 11007251          |
|  | #N/A      | SILVER LEFT SIDE CASING G0053  |                | 11009821          |
| 26   | #N/A      | SCREW TCB TORX 10 3,5X12 PLAST.GALVANIZ                                |                | 12000450          |
| 27   | #N/A      | GREY WATER-STEAM KNOB P0049  |                | 11009770          |
|  | 11004374  | Knob, Steam-Water, Odea Go   |                |                   |
| 28   | 11004687  | Pin Assy, Mounting Plate   | 230V           |                   |
|  | #N/A      | MOUNTING PLATE WITH PIN P0049 UL ASSY.                                 | 120V USA       | 11009301          |
| 29   | 12000280  | Inlet collar, 60320 C 13   |                |                   |
| 30   | #N/A      | SCREW TCB TORX 10 3,5X40 PLAST.ZN-N                                    |                | U140.001          |







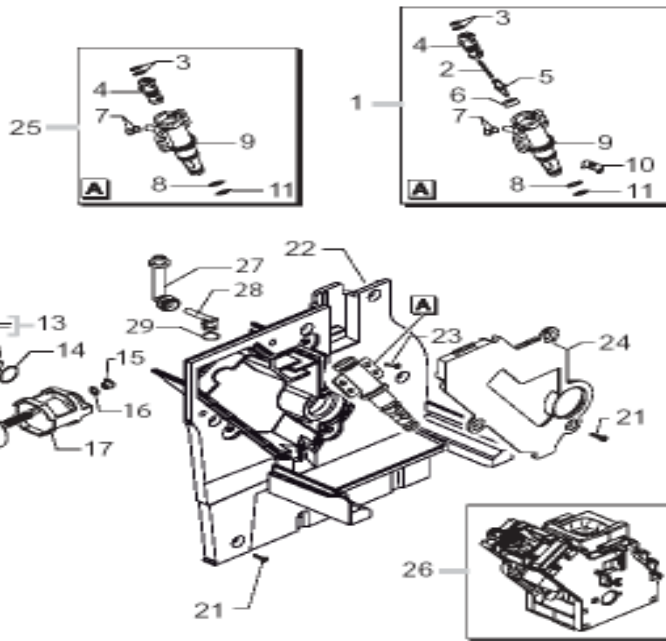
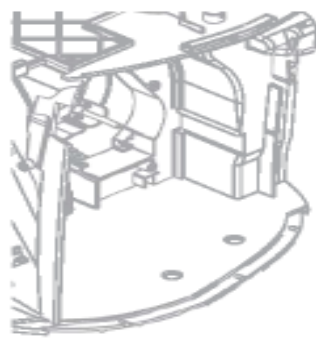








# Espresso Italiano



| POS  | SAECO No. | SUP035DR / SUP035 Espresso Italiano<br>E74138 Rev.02<br>Code: 10002735 | NOTES              | Special Order No. |
|--|-----------|--|--------------------|-------------------|
| <b>Yellow = Not Available unless Special Ordered</b> |           |  |                    |                   |
| 1  | 11005060  | Boiler Pin Assembly  |                    |                   |
| 2  | 9011132   | Spring, Boiler Pin   |                    |                   |
| 3  | 140324459 | O-Ring, Silicone, 0060-20  |                    |                   |
| 4  | 11003820  | Cap,Pin Boiler,V2,P119   |                    |                   |
| 5  | 227660103 | Needle Valve, L=20   |                    |                   |
| 6  | 145841200 | Viton Seal, For Piston   |                    |                   |
| 7  | 140328059 | O-Ring, Silicone, 2015   |                    |                   |
| 8  | NM01064   | O-Ring, Silicone, 0090-20, Nsf   |                    |                   |
| 9  | 11003801  | Pin, Boiler, V2 P119   |                    |                   |
| 10   | 9011099   | Lever, Boiler, Magic Deluxe  |                    |                   |
| 11   | NM01066   | O-Ring, Silicone, 0050-20, Fda   |                    |                   |
| 12   | NE05038   | Switch, Brew/Dump, Magic   |                    |                   |
| 13   | 20000900  | Kit,Gears,Ratiomotor, V2   |                    |                   |
| 14   | 91611320  | Washer, Brew Drive Motor, Myla   |                    |                   |
| 15   | #N/A      | SINTERED BUSH FOR MOTOR  |                    | 9121.046          |
| 16   | 148380200 | Washer, Vspresso, D=5  |                    |                   |
| 17   | 80001008  | Antivibration, Brew Drive Mtr  |                    |                   |
| 18   | #N/A      | MOTOR FOR RATIOMOTOR ASSY.   |                    | 11003037          |
| 19   | #N/A      | BLACKMICROSWITCHSUPPORTDUMPBOXP0049                                    |                    | 11001331          |
| 20   | #N/A      | REED SENSOR MK3-1A66-BV16451   |                    | 11003661          |
| 21   | 129914102 | Screw K, 35x12 Win1423 Galv.   |                    |                   |
| 22   | 11006337  | Cover,Mounting Plate,Blk,Assy  |                    |                   |
|  | #N/A      | BLACK COVER MOUNTING PLATE P0049 UL ASSY                               |                    | 11009287          |
|  | #N/A      | TCB SCREW 3,5X18 PLASTITE 45°  |                    | 129661902         |
| 24   | 11001312  | Cover Vain Boiler P0049, Black   |                    |                   |
|  | #N/A      | BLACK COVER FOR VAIN BOILER P0049 UL                                   |                    | 11009284          |
| 25   | 11001991  | Boiler Pin Assy,V2 P049/B  |                    |                   |
| 26   | #N/A      | BLACK BREW UNIT 8GR. S0053   | See E90065 page 10 | 11009266          |
| 27   | 11004086  | Fitting,90°, Plastic   |                    |                   |
| 28   | 11003648  | Fitting, 90°,Plastic   |                    |                   |
| 29   | 140325462 | O-Ring,Metric,Silicone,0070-20   |                    |                   |

