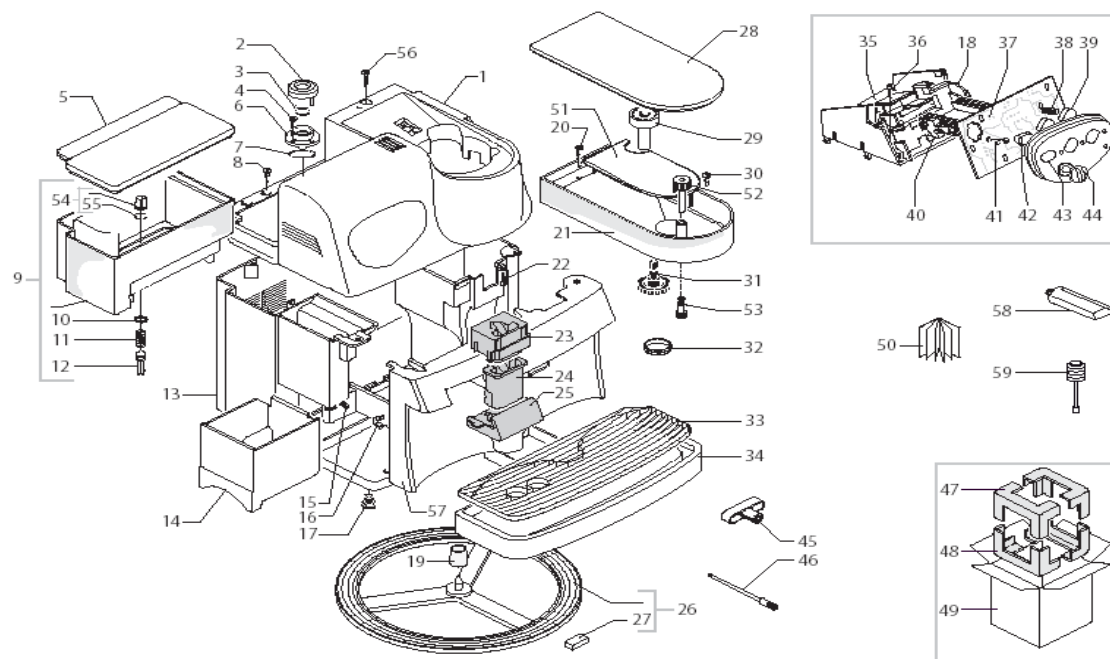
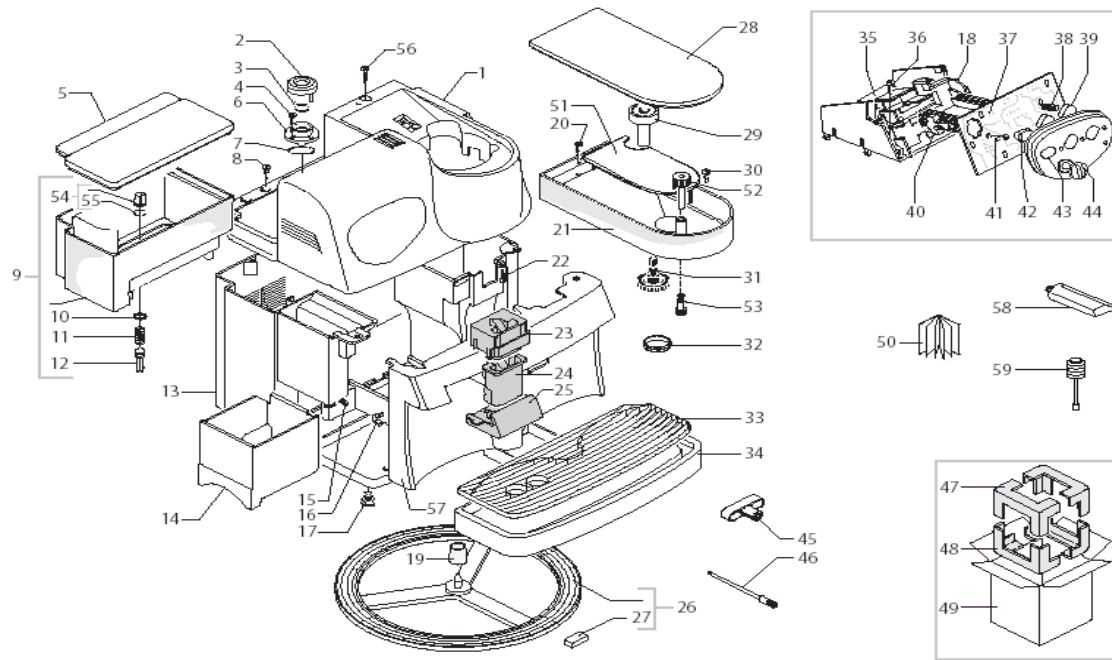


Vienna Plus Silver



| POS | SAECO No. | SUP018M Vienna Plus Silver E74019 Rev. 11 Code: 10003178 | NOTES | Special Order No. |
|--|------------|--|-------------------|-------------------|
| Yellow = Not Available unless Special Ordered | | | | |
| 1 | #N/A | SILVER COVER M5000-SPIDEM | | 11006447 |
| | #N/A | SILVER COVER M5000-SPIDEM S/SCR.VIENNA | | 11006586 |
| | #N/A | MARB/CREAM COVER M5000-SPIDEM | | 142851220 |
| | #N/A | DARK/BLUE COVER M5000-SPID. | | 11006446 |
| | #N/A | BLUE COVER M5000-SPIDEM | | 222820184 |
| | #N/A | AMARANTH COVER M5000-SPIDEM | | 222820190 |
| | #N/A | YELLOW COVER M5000-SPIDEM | | 142851221 |
| | #N/A | ANTRACITHE/GREY COVER M5000-SPIDEM | | 11006445 |
| | #N/A | METAL BLACK COVER M5000-SPIDEM | | 142851253 |
| | #N/A | GREY/7035 COVER M5000-SPIDEM | | 142851200 |
| | #N/A | MEZZANOTTE COVER M5000-SPIDEM | | 11012405 |
| | #N/A | MEZZANOTTE COVER M5000-SPID. | | 11021722 |
| | #N/A | GREY/7035 COVER M5000-SPID. | | 142851200 |
| | 222820141 | Cover, Trevi | | |
| 2 | 701031150 | Cover, Wtr Tnk Valve, Inlet | | |
| 3 | 145842900 | Gasket, Water Tank, | | |
| 4 | #N/A | SCREW TSP3,5X9,5 DIN 7982 SS | | 129535721 |
| 5 | 311008380 | Lid, Water, Vienna Black | | |
| | #N/A | SPIDEM/GREY WATER CONTAIN.LID M5000 | | 0311.008.620 |
| | #N/A | BLUE/5013 WATER CONTAINER LID M5000 | | 0311.008.730 |
| | 311008580 | Lid, Water, Silver | | |
| | #N/A | AMARANTH WATER CONTAINER LID M5000 | | 0311.008.520.A |
| | #N/A | DARK/BLUE WATER CONTAINER LID M5000 | | 0311.008.730.A |
| | #N/A | MEZZANOTTE WATER CONTAINER LID M5000 | | 11012394 |
| 6 | 701014150 | Flange, Water Tank Valve | | |
| 7 | 90001054 | Seal, Valve Container | | |
| 8 | U143007 | Screw, M2,9x19, Torx | | |
| 9 | 0311A05230 | Water Tank, Vienna and Villa | | |
| | #N/A | WATER CONTAINER AS.M5000 TRANS/GREY | SPIDEM TREVI JAP | 222694080 |
| 10 | NM01032 | O-Ring, Rubber, 0060-30, Orm | | |
| 11 | 90001006 | Spring, Water Tank Valve | | |
| 12 | 90001007 | Piston, Water Tank Valve | | |
| 13 | #N/A | GREY/3557 CASING M5000 + FEET ASSY. | WITH PA.№15-17-19 | 0311.A03.670 |
| | 0311A03580 | Housing Assembly, W/Feet | WITH PA.№15-17-19 | |
| | #N/A | MARB.CREAM CASING M5000 + FEET ASSY. | WITH PA.№15-17-19 | 0311.A03.600 |
| | #N/A | AMARNTH CASING M5000 + FEET ASSY. | WITH PA.№15-17-19 | 0311.A03.520.A |
| | #N/A | DARK BLUE CASING M5000 + FEET ASSY. | WITH PA.№15-17-19 | 0311.A03.730.A |
| | #N/A | YELLOW CASING M5000 + FEET ASSY. | WITH PA.№15-17-19 | 0311.A03.270.A |
| | #N/A | ANTR/GREY CASING M5000 + FEET ASSY. | WITH PA.№15-17-19 | 0311.A03.110.A |
| | #N/A | MEZZANOTTE CASING M5000 + FEET ASSY. | WITH PA.№15-17-19 | 11012393 |
| | #N/A | UNPAINTED CASING M5000 + FEET ASSY. | WITH PA.№15-17-19 | 11003887 |
| 14 | 311004580 | Dump Box, Vienna Deluxe, Silv | | |
| | #N/A | MARB./CREAM GROUNDS CONTAINER M5000 | | 0311.004.600 |
| | #N/A | GREY/3557 GROUNDS CONTAINER M5000 | | 0311.004.670 |
| | #N/A | DARK/BLUE GROUNDS CONTAINER M5000 | | 0311.004.730.A |

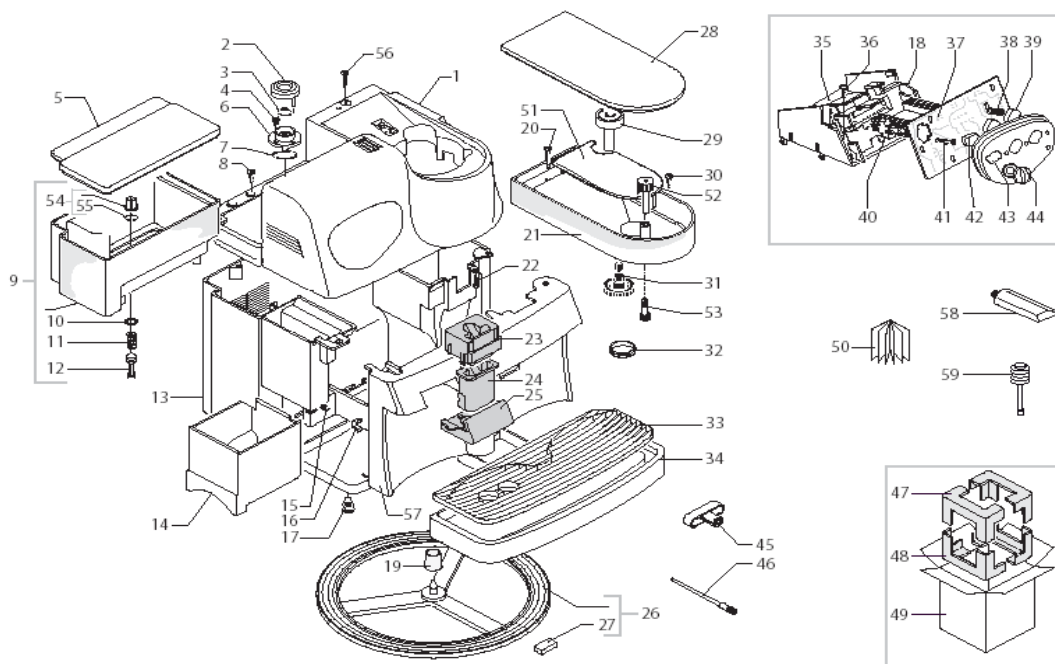
Vienna Plus Silver



| POS | SAECO No. | SUP018M Vienna Plus Silver E74019 Rev. 11 Code: 10003178 | NOTES | Special Order No. |
|--|------------|--|-------|-------------------|
| Yellow = Not Available unless Special Ordered | | | | |
| 14 | #N/A | AMARANTH GROUNDS CONTAINER M5000 | | 0311.004.520.A |
| | #N/A | YELLOW GROUNDS CONTAINER M5000 | | 0311.004.270.A |
| | #N/A | ANTHR/GREY GROUNDS CONTAINER M5000 | | 0311.004.110.A |
| | #N/A | MEZZANOTTE GROUNDS CONTAINER M5000 | | 11012396 |
| 15 | #N/A | MAGNET D.9MM | | 9991.105 |
| 16 | #N/A | BRACKET FOR DOOR CLOSURE | | 311.020 |
| 17 | 147622850 | Foot, Black Rubber, Vienna | | |
| 18 | #N/A | ELECTRONICS BOARD PROTECTION M5000 | | 147756600 |
| 19 | 145894700 | Bushing, Swivel Base, Vienna | | |
| 20 | 129517103 | Screw, M3.5X38, Bean Hopper | | |
| 21 | #N/A | B.CONT.AS.W/SLOT W/O DOS ADJ .M500 120V | | 222710780 |
| | #N/A | B.CONT.GREY W/O SLOT W/O DOS R.S50 | | 142713180 |
| | 142713780 | Bean Hopper, Vienna Line, Rs | | |
| | #N/A | BEAN COFFEE CONTAINER GREY | | 142713680 |
| 22 | 129670202 | Screw, M3.5x16, Tcb, D=8 | | |
| 23 | 311022380 | Dispensing Head, Top, Black | | |
| | #N/A | SPIDEM/GREY FIXED DISPENSING CHANNEL | | 0311.022.620 |
| 24 | 311011380 | Dispensing Head, Bottom, Vienn | | |
| | #N/A | SPIDEM/GREY MOBILE DISPENSING CHANNEL | | 0311.011.620 |
| 25 | 311012380 | Cover, Dispensing Head | | |
| | #N/A | DISPENSING SUPPORT GREY SPIDEM | | 0311.012.620 |
| | #N/A | MEZZANOTTE DISPENSER SUPPORT M5000 | | 11012392 |
| | #N/A | SILVER DISPENSER SUPPORT M5000 | | 11022221 |
| 26 | 301057150 | Swivel Base, Magic/Royal | | |
| 27 | #N/A | BLACK FOOT FOR REVOLVING RING | | 147622150 |
| 28 | L311009380 | Lid, Bean, Vienna Black | | |
| | #N/A | SPIDEM/GREY COFFEE CONTAINER LID M5000 | | 0311.009.620 |
| | #N/A | BLUE/5013 COFFEE CONTAINER LID M5000 | | 0311.009.730 |
| | 311009580 | Lid, Beans, Silver M5000 | | |
| | #N/A | AMARANTH COFFEE CONTAINER LID M5000 | | 0311.009.520.A |
| | #N/A | DARK/BLUE COFFEE CONTAINER LID M5000 | | 0311.009.730.A |
| | #N/A | MEZZANOTTE COFFEE CONTAINER LID M5000 | | 11012395 |
| 29 | 9141051490 | Knob, Grinder Adjustment | | |
| 30 | U109029 | Screw, M3.5X32, Profimat | | |
| 31 | 146000850 | Gear, Grinder Adjustment | | |
| 32 | 9161270 | Gasket, Bean Hopper | | |
| 33 | 311010380 | Grill, Drip Tray, Black, Vienn | | |
| | #N/A | GRATE M5000 GREY SPIDEM | | 0311.010.620 |
| | #N/A | GRATE M5000 BLUE/5013 | | 0311.010.730 |
| | #N/A | GRATE M5000 SILVER | | 0311.010.580 |
| 34 | 311005380 | Drip Tray, Vienna Black | | |
| | #N/A | SPIDEM/GREY DRIP TRAY M5000 | | 0311.005.620 |
| | #N/A | GREY/3557 DRIP TRAY M5000 | | 0311.005.670 |
| | #N/A | BLUE/5013 DRIP TRAY M5000 | | 0311.005.730 |

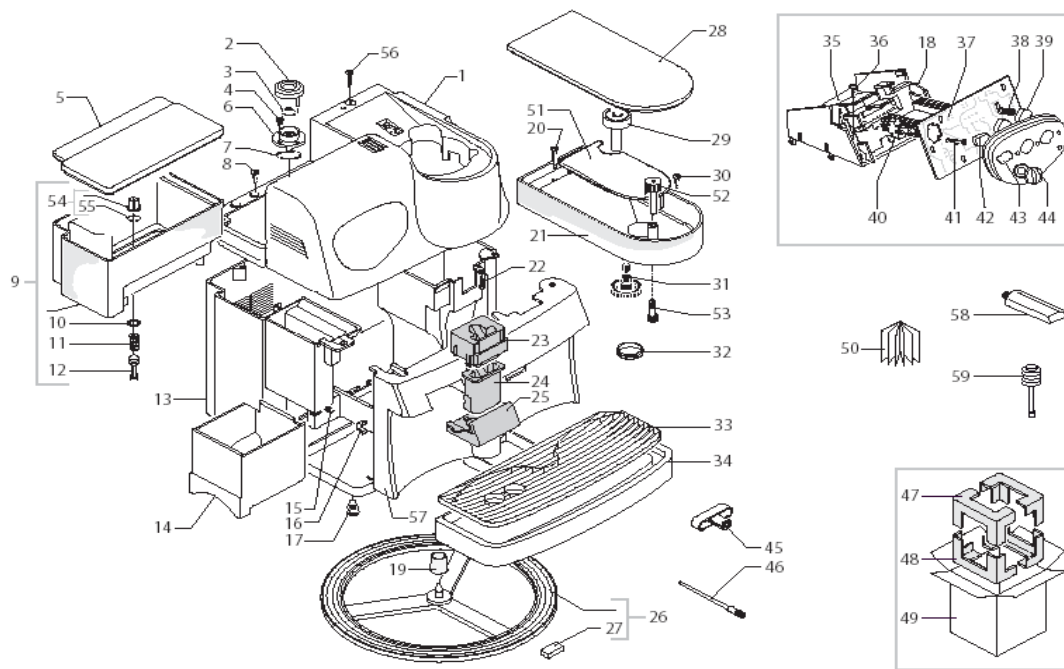
Vienna Plus Silver

E77019 Rev. 11
 Brew Group E90050 Rev. 02
 Brew Group E90026 Rev. 03
 Brew Group E90023 Rev. 03



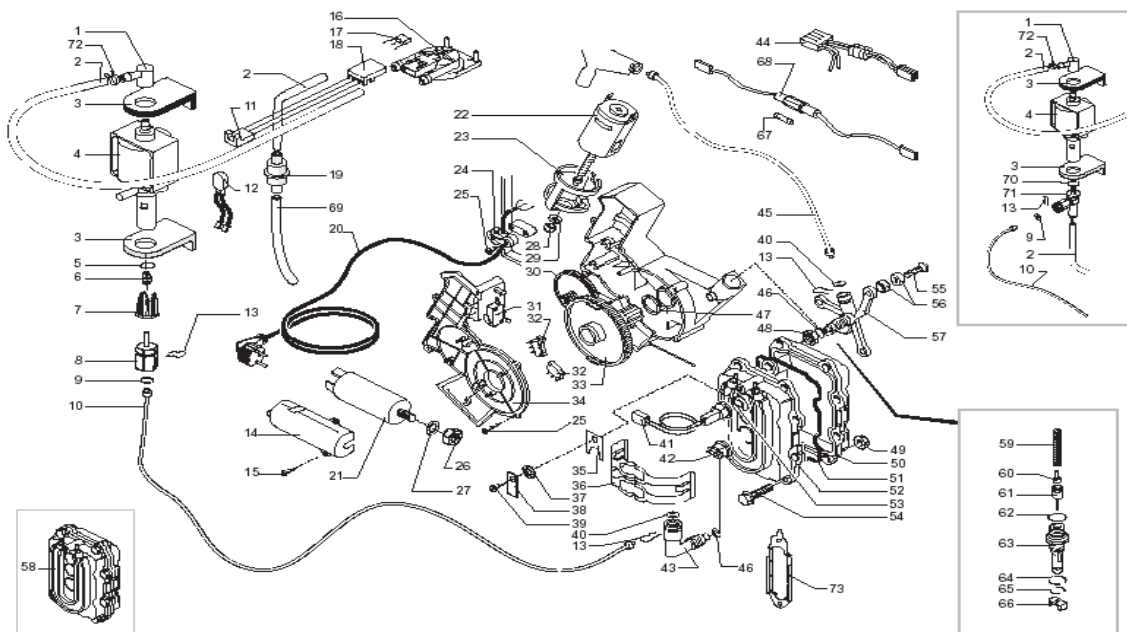
| POS | SAECO No. | SUP018M Vienna Plus Silver E74019 Rev. 11 Code: 10003178 | NOTES | Special Order No. |
|--|-----------|--|-------|-------------------|
| Yellow = Not Available unless Special Ordered | | | | |
| 34 | 311005580 | Drip Tray, Vienna Deluxe Silve | | |
| | #N/A | AMARANTH DRIP TRAY M5000 | | 0311.005.520.A |
| | #N/A | CHROMED DRIP TRAY M5000 | | 0311.005.220.A |
| | #N/A | DRIP TRAY M5000 CHROMED TREVI BLUE DARK | | 229631288 |
| | #N/A | MEZZANOTTE DRIP TRAY M5000 | | 11012409 |
| 35 | #N/A | BLACK SUPP. FOR ELECTRONIC CARD M5000 | | 11006299 |
| | #N/A | GREY SUPP. FOR ELECTRONIC CARD M5000 | | 0311.017.150 |
| 36 | #N/A | PANELVIT TCB SCREW 3,5X12 D.7505 Z | | 129660902 |
| 37 | 181565555 | Pcb, Cpu, Psb, 120V, Old Boile | | |
| 37 | 181554655 | Pcb, Cpu, Psb, 120V,New Boiler | | |
| 38 | #N/A | SPRING FOR FUNCTION BUTTON | | 9161.220 |
| 39 | #N/A | MET.BLACK FUNCTION BUTT. M5000-COMTES. | | 0324.002.380 |
| | #N/A | GREY SPIDEM FUNCT.BUTT. M5000-COMTES | | 0324.002.620 |
| | #N/A | BLUE/5013 FUNCTION BUTT. M5000-COMTES. | | 0324.002.730 |
| | #N/A | SILVER FUNCTION BUTTON M5000-COMTES. | | 0324.002.580 |
| 40 | 186076255 | Switch, On/Off, Vienna | | |
| 41 | 129660202 | Screw, M3X12, Bean Hopper | | |
| 42 | 324003380 | Push Button, On/Off, Black Met | | |
| | 324003620 | Push Button, On/Off, Grey | | |
| | #N/A | ON/OFF BUTTON M5000-COMT.BLUE/5013 | | 0324.003.730 |
| | #N/A | ON/OFF BUTTON M5000-COMTESSE SILVER | | 0324.003.580 |
| 43 | #N/A | GREY/7035 FRONT PAN. M5000-SPID.S/SCRE. | | 224882300 |
| | #N/A | SILVER FRONT PAN. M5000-SPID.S/SCR.GREY | | 11006620 |
| | #N/A | MARB/CREAM FRONT PAN. M5000-SPID.S/SCR. | | 224882320 |
| | #N/A | MET/BLACK FRONT PANEL M5000-SPID.S/SCR. | | 224882353 |
| | #N/A | TRANSP/BLUE FRONT PAN. M5000-SPID.S/SCR | | 224882384 |
| | #N/A | AMARANT.FRONT PAN. M5000-SPID.S/SCREEN | | 224882390 |
| | #N/A | DARK/BLUE FRONT PAN. M5000-SPID.S/SCRE. | | 224882343 |
| | #N/A | YELLOW FRONT PAN. M5000-SPID.S/SCREEN | | 224882321 |
| | #N/A | ANTHR/GREY FRONT PAN M5000-SPID.S/SCR. | | 11006625 |
| | #N/A | GREY/7035 FRONT PAN M5000-SPID.S/SCRE. | | 11006626 |
| | #N/A | MEZZANOTTE FRON.PAN M5000-SPID.S/SCR. | | 11012398 |
| | #N/A | MEZZANOTTE FRON.PAN M5000-SPID.S/SCR. | | 11021379 |
| | 224882341 | DISCONTINUED, Touch Panel Hous | | |
| | #N/A | SILVER FRONT PAN M5000-SPID.S/SC.BLACK | | 224882348 |
| 44 | #N/A | DOSE ADJUSTMENT KNOB M5000 METBLACK | | 0311.016.380 |
| | #N/A | DOSE ADJUSTM.KNOB M5000 GREY SPIDEM | | 0311.016.620 |
| | #N/A | DOSE ADJUSTMEN.KNOB M5000 UNPAINTED | | 0311.016.740 |
| | #N/A | DOSE ADJUSTMENT KNOB M5000 SILVER | | 0311.016.580 |
| 45 | 90001051 | Brew Group Key, Italia | | |
| 46 | 41338 | Brush, Cleaning, Metal | | |
| 47 | #N/A | UPPER INSERT POLYST.BOX M5000-SPID | | 175895400 |

Vienna Plus Silver



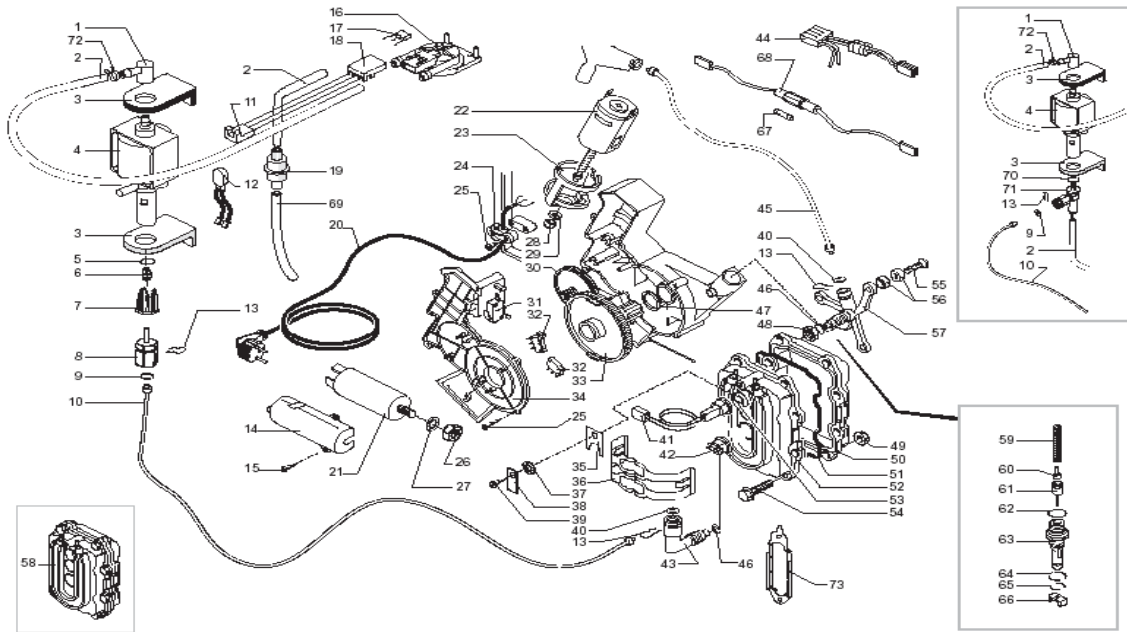
| POS | SAECO No. | SUP018M Vienna Plus Silver E74019 Rev. 11 Code: 10003178 | NOTES | Special Order No. |
|--|-----------|--|-------|-------------------|
| Yellow = Not Available unless Special Ordered | | | | |
| 48 | #N/A | LOWER INSERT POLYST.BOX M5000 | | 175894000 |
| 49 | #N/A | FLEXOGRAPHATE BOX SPIDEM M5000 TREVI | | 178512200 |
| | #N/A | FLEX.BOX SAECO M5000 VIA VENEZIA | | 178503300 |
| | #N/A | FLEXOGRAPH BOX RIVIERA & BAR S 600 | | 178500700 |
| | 178505000 | Box, Vienna, Presentation | | |
| | 178502400 | DISCONTINUED, Box, Trevi Super | | |
| | #N/A | FLEXOGRAPHATE BOX SAECO VIENNA PLUS | | 13000967 |
| | #N/A | FLEXOGRAPHATE BOX SAECO VIENNA PLUS | | 13001090 |
| 50 | 165934300 | DISCONTINUED, Manual, Trevi | | |
| | #N/A | INSTRUCT.MANUAL NEUTRAL SUP018M GB/P | | 15001915 |
| | #N/A | IN.MANUAL SUP018M SAE VIENNA PL.GB/F/E/P | | 15001921 |
| | #N/A | INSTR.MANUAL SUP018M SAE VIENNA PL.GB/P | | 15001922 |
| | #N/A | INSTR.MANUAL SUP018M SAE VIENNA PL.CHN | | 15001923 |
| 51 | 147755280 | Bean Hopper Guard, Vienna | | |
| 52 | 147715659 | Adjustment Knob, Doser | | |
| 53 | 146001850 | Gear Adjustment, Coffee Doser | | |
| 54 | 90001003 | Filter, Water Tank | | |
| 55 | 90001004 | O-Ring, Metric, Epdm, 0019-10 | | |
| 56 | #N/A | PANELVIT TCB 3,0X16 DIN 7505 B GAL | | U140.009 |
| 57 | 228991641 | Door, Vienna Deluxe | | |
| | #N/A | SILVER DOOR M500 S/SCR.SPIDEM TREVI | | 228991741 |
| | #N/A | SILVER DOOR M5000 S/SCREEN RIVIERA | | 228991841 |
| | #N/A | DOOR M5000 M.CREAM S/SCR.VIEN.DELU | | 228991620 |
| | #N/A | DOOR M5000 BLUE S/SCR.SPIDEM MILLE | | 228992284 |
| | #N/A | DOOR M5000 BLUE S/SCR.SAECO MILLEN | | 228992384 |
| | #N/A | DOOR M5000 AMAR.S/SCR.SAECO MILLEN | | 228992390 |
| | #N/A | DOOR M5000 AMAR.S/SCR.SPIDEM MILLE | | 228992290 |
| | #N/A | DOOR M5000 CHROMED S/SCR.SAECO TRE | | 228992186 |
| | #N/A | DOOR M5000 CHROM.S/SCR.SAECO EXCLU | | 228992586 |
| | #N/A | DOOR M5000 CHROM. S/SCR.SAEC.V.VEN | | 228992686 |
| | #N/A | YELLOW DOOR M5000 S/SCREEN SPID. TREVI | | 228991721 |
| | #N/A | ANTHR/GREY DOOR M5000 S/SCR.SPID. TREVI | | 228991708 |
| | #N/A | DOOR M5000 M/BLACK S/SCR EDITION 2 | | 228993353 |
| | #N/A | DOOR M5000 GREY/7011 S/SC.TR.CHIARA | | 228994900 |
| | #N/A | DOOR M5000 SILVER S/SCR. SAECO TRE | | 228992141 |
| | #N/A | DOOR M5000 CHROM. S/SCR.SPIDEM EXC | | 228992486 |
| | #N/A | MARB/CREAM DOOR M5000 S/SCR.SPID.TREVI | | 228991720 |
| | 228991941 | Door, Trevi | | |
| | #N/A | MEZZAN. DOOR M5000 S/SCR.TREVI CHIARA | | 11012399 |
| | #N/A | MEZZANOTTE DOOR M5000 S/SCR.VIENNA PL | | 11021725 |
| | #N/A | SILVER DOOR M5000 S/SCR.VIENNA PL. | | 11022213 |
| 58 | 11005044 | Grease, Tube, 5 gram | | |
| 59 | 147700200 | Priming Pump, Handheld, 17mm | | |

Vienna Plus Silver



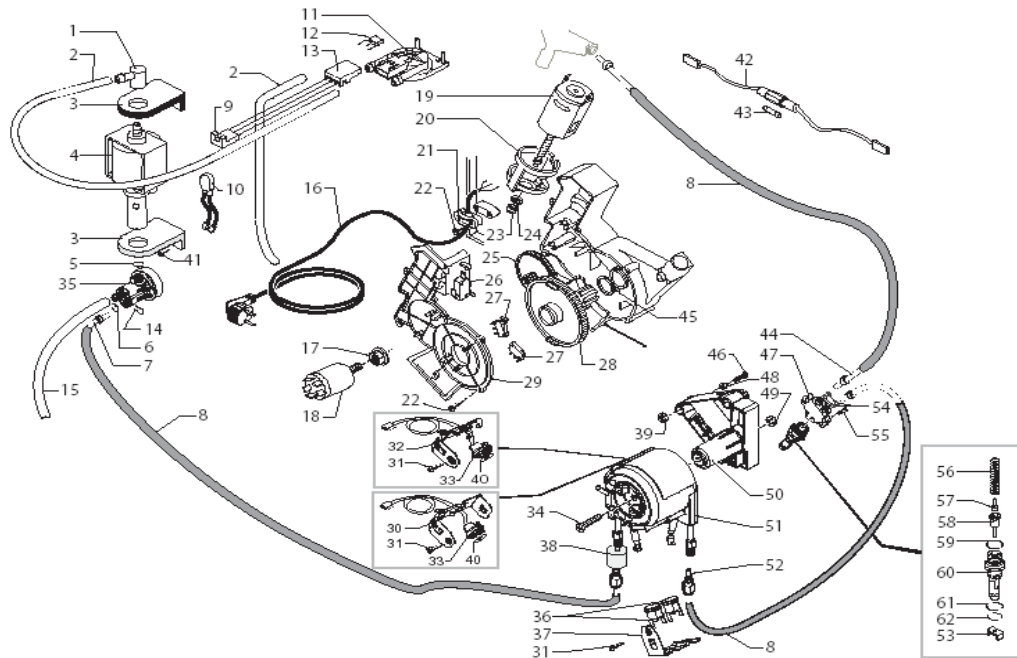
| POS | SAECO No. | SUP018M Vienna Plus Silver E74019 Rev. 11 Code: 10003178 | NOTES | Special Order No. |
|--|------------|--|----------------------|-------------------|
| Yellow = Not Available unless Special Ordered | | | | |
| 1 | 147920150 | Fitting, 90o. Pump Inlet | | |
| 2 | 149360200 | Tube, Silicone, D=8x10 | | |
| 3 | 80001005 | Support, Eaton Pump | | |
| 4 | #N/A | ULKA PUMP EP5/S GW 230V-50HZ | | 12000140 |
| 5 | #N/A | MOLVENO SWITCH DK1WC1E000000 | | NE03.018 |
| 6 | #N/A | BICONE IN PLASTIC FOR TUBE D.6 | | 9071.075 |
| 7 | #N/A | RING NUT FOR TUBE RETAINING D.6 | | 9071.071 |
| 8 | #N/A | CONNECTOR FOR TUBE D.4 | | 9071.097 |
| 9 | NM02028 | O-Ring, Epdm, 2015 | | |
| 10 | #N/A | TEFLON TUBE 2X4 L=235 MM ASSY | | 227872100 |
| 11 | #N/A | 3 POLES CONNECTORS TURB.M5000 ASSY. | | 283542200 |
| 12 | #N/A | YELLOW HARNESS KLIXON JP 13 2030V | | 311.807 |
| 13 | 9011144 | Clip, Hairpin, Teflon Tube | | |
| 14 | #N/A | ANTIDISTURB FILTER COVER M5000 | | 142851100 |
| 15 | #N/A | PANELVIT TCB SCREW 3,5X12 D.7505 Z | | 129660902 |
| 16 | 286473300 | Flowmeter Casing, W/Sensor Kit | WITH PART. N°17 | |
| 17 | #N/A | PARTICULAR NOT AVAILABLE | SEE PART. N°16 | |
| 18 | 9161018 | Fork, Flowmeter Assy, Vspresso | | |
| 19 | 144650300 | Filter, In-Line | | |
| 20 | #N/A | POWER CABLE SCHUKO BLACK L=1500 | | 183910450 |
| | #N/A | POW.CABLE CH BLACK H05+3FAST.L=1500 | | 183930250 |
| | #N/A | P.CABLE ITALY BLACK .H05 + FAST.L= | | 183950150 |
| | #N/A | POWER CABLE SJT3C USA GREY 3F.L1500 | | NE01.026 |
| 21 | 184651100 | Filter, V.Digital | | |
| 22 | #N/A | GEN.MOT. FOR RATIOMOTOR M/S 5000 AS. | WITH PA. N°23-44 | 286891358 |
| 23 | 80001008 | Antivibration, Brew Drive Mtr | | |
| 24 | #N/A | CABLE CLAMP V0 MAGIC ESP COMBI UL | | 148600600 |
| 25 | 129670202 | Screw, M3.5x16, Tcb, D=8 | | |
| 26 | #N/A | NUT M8 LOW UNI 5589 -A-6S GALVANIZED | | 123270202 |
| 27 | 128310802 | DISCONTINUED, Washer, A8, Uni | | |
| 28 | #N/A | SINTERED BUSH FOR MOTOR | | 9121.046 |
| 29 | 148380200 | Washer, Vspresso, D=5 | | |
| 30 | 146000759 | Gear, Brew Drive Motor, 12/90 | | |
| 31 | NE05042 | Microswitch, Brew Group Sensor | | |
| 32 | NE05038 | Switch, Brew/Dump, Magic | | |
| 33 | 9121068150 | Gear, Brew Drive Motor, Vienna | | |
| 34 | 9161200920 | Cover, BrewDrive Motor, Vienna | | |
| 35 | #N/A | PROBE LOCKING SPRING FOR BOIL. M50 | | 126836402 |
| | #N/A | UP TO S/N. 994068660 | | |
| 36 | 90111420 | DISCONTINUED, Spring Clip, The | UP TO S/N. 994068660 | |
| 37 | 128310504 | Washer, A5, Uni 8842, Burnish | UP TO S/N. 994068660 | |

Vienna Plus Silver



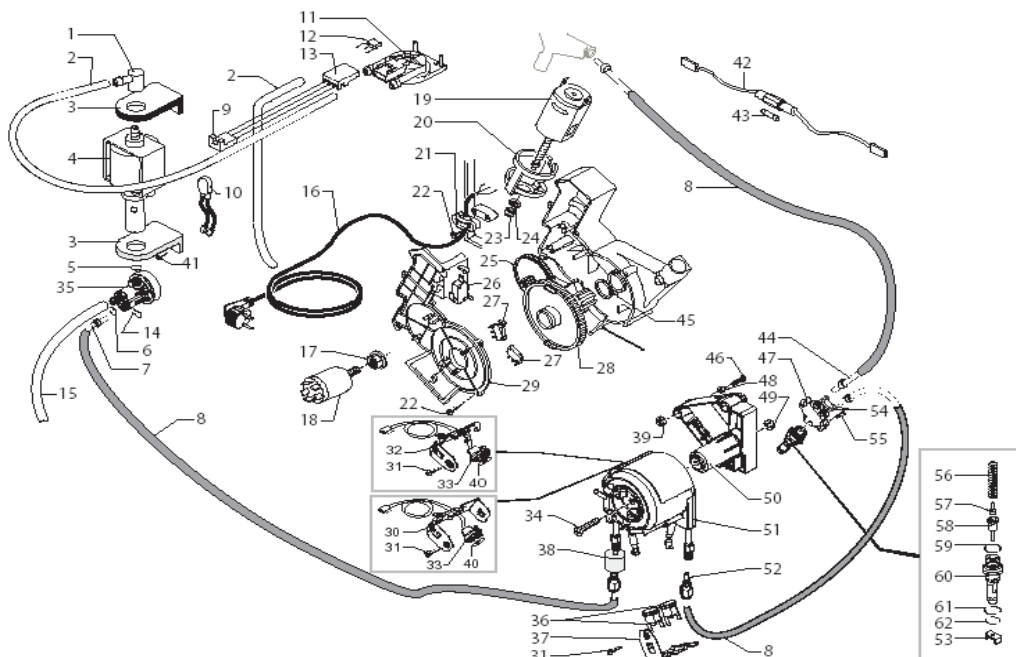
| POS | SAECO No. | SUP018M Vienna Plus Silver E74019 Rev. 11 Code: 10003178 | NOTES | Special Order No. |
|--|-----------|--|----------------------|-------------------|
| Yellow = Not Available unless Special Ordered | | | | |
| 38 | #N/A | FLAT TABS 6,3 D=5,3 0010487200 | UP TO S/N. 994068660 | 186400600 |
| 39 | #N/A | SCREW TAPT M5X10 DIN 7500C NICK | | 129575403 |
| 40 | 140328059 | O-Ring, Silicone, 2015 | | |
| 41 | 286471558 | Sensor Kit, M/S 5000, 230V | | |
| 42 | 189428200 | Thermostat, 175o | | |
| 43 | 127914020 | Elbow, 90o, Boiler Input | | |
| 44 | #N/A | PARTICULAR NOT AVAILABLE | SEE PART. N°22 | |
| 45 | 227872000 | Tube Assy, Teflon, 2x4, L=440 | | |
| 46 | 140321462 | O-Ring, Silicone, 2018 | | |
| 47 | 91611320 | Washer, Brew Drive Motor, Myla | | |
| 48 | 123390420 | Nut, 1/8", H=4.5 | | |
| 49 | 123270102 | Nut, M6, W/Flange | | |
| 50 | #N/A | PARTICULAR NOT AVAILABLE | SEE PART. N°58 | |
| 51 | #N/A | BOILER SEAL | | 9011.129 |
| 52 | #N/A | PARTICULAR NOT AVAILABLE | SEE PART. N°58 | |
| 53 | #N/A | ALUM.SPACER FOR PHILIPS SENSOR MAGIC | | 11004424 |
| 54 | U046004 | Screw, M6 X 26 | | |
| 55 | U044017 | Screw, M5x20, Uni 7687 | | |
| 56 | 9161206 | Screw, Spacers, For Boiler | | |
| 57 | 90111260 | Boiler Support, Brass, Vienna | | |
| 58 | #N/A | SPARES KIT AN/BOIL+SENS.CAB.M5000/F | | 286472858 |
| | 286473058 | Boiler, Vienna, 230V | | |
| 59 | 9011132 | Spring, Boiler Pin | | |
| 60 | 90001067 | Plunger, Boiler Valve, SS | | |
| 61 | 227660103 | Needle valve, L=20 | | |
| 62 | #N/A | OR METRICO 0080-20 IN SILICONE | | 140320462 |
| 63 | 9011100 | Valve Housing, Boiler, Magic D | | |
| 64 | NM01064 | O-Ring, Silicone, 0090-20, Nsf | | |
| 65 | NM01066 | O-Ring, Silicone, 0050-20, Fda | | |
| 66 | #N/A | M CURSOR FOR BOILER VALVE IN PLASTIC | | 9011.099 |
| 67 | #N/A | FUSE T6,3 AMP.5X20 RETARDED | | 327002200 |
| 68 | #N/A | 1 STR+ SIL. CABLE BLUE 510 MM | | 183003662 |
| 69 | JS01022 | Tube, Silicone, 5X10, 60 | | |
| 70 | 140321961 | O-Ring, Epdm, 2031 | | |
| 71 | 229451300 | Relief Valve, Vienna | | |
| 72 | 184320200 | Hose Clamp, Water Line, SA's | | |
| 73 | #N/A | STEEL SPRING RETAIN.3 THE.BOIL. M5 | FROM S/N. 994068661 | 126836517 |
| | #N/A | GEN.TURB.AS.W/O FILTER UNIFIED M5000 | | 289434800 |

Vienna Plus Silver



| POS | SAECO No. | SUP018M Vienna Plus Silver E74019 Rev. 11 Code: 10003178 | NOTES | Special Order No. |
|--|------------|--|---------------------------|-------------------|
| Yellow = Not Available unless Special Ordered | | | | |
| 1 | 147920150 | Fitting, 90o. Pump Inlet | | |
| 2 | 149360200 | Tube, Silicone, D=8x10 | | |
| 3 | 80001005 | Support, Eaton Pump | | |
| 4 | 12000131 | Pump, Ulka, 120V, 60Hz, EAP5/S | | |
| 5 | 140321961 | O-Ring, Epdm, 2031 | | |
| 6 | NM02028 | O-Ring, Epdm, 2015 | | |
| 7 | 227874900 | Connector, Teflon, 2x4 L=250mm | | |
| 8 | 149361200 | Tube, Silicone, Blk, 7.5x9.3 | | |
| 9 | #N/A | 3 POLES CONNECTORS TURB.M5000 ASSY. | | 283542200 |
| 10 | #N/A | THERMAL PROTECT 120°C CABLE.125/3 100-120V | | 289201000 |
| 11 | 286473300 | Flowmeter Casing, W/Sensor Kit | WITH PART. N°12 | |
| 12 | #N/A | PARTICULAR NOT AVAILABLE | SEE PART. N°11 | |
| 13 | 9161018 | Fork, Flowmeter Assy, Vspresso | | |
| 14 | 9011144 | Clip, Hairpin, Teflon Tube | | |
| 15 | JS01022 | Tube, Silicone, 5X10, 60 | | |
| 16 | #N/A | POWER CABLE SCHUKO BLACK L=1500 | | 183910450 |
| | #N/A | POW. CABLE CH BLACK H05+3FAST.L=1500 | | 183930250 |
| | #N/A | P.CABLE ITALY BLACK _H05 + FAST.L= | | 183950150 |
| | #N/A | POWER CABLE SJT3C USA GREY 5F.L1590 | | 183922060 |
| | #N/A | BLACK POW. CABLE AUSTR.H05+FAST.L=1500 | | 183940250 |
| | #N/A | POWER CABLE SJT3C USA GREY 3F.L1500 | | NE01.026 |
| | #N/A | POWER CABLE JAPPON VCTF BLACK L=1590 | | 183980550 |
| | #N/A | BLACK POWER CABLE RVV 3X1 CHINA L=1590 | | 183990950 |
| | #N/A | GREY POWER CABLE TAIWAN HVCTF L=1440 | | 11002892 |
| | #N/A | GREY POWER CABLE BRAZIL 5F.L=1590 | | 11003361 |
| | #N/A | POWER CABLE SJT3C USA BLACK 5F.L=1590 | | 11000706 |
| 17 | #N/A | FLANGE NUT M8 TOOTHED BASE GALV. | | 123453602 |
| 18 | 184651500 | Power Filter, Charisma/Vspress | | |
| | #N/A | LOCKING SCREW ANTIDISTURB FILTER 16A | | 12001353 |
| 19 | #N/A | MOTOR FOR RATIO MOTOR ASSY. | | 11003037 |
| 20 | 80001008 | Antivibration, Brew Drive Mtr | | |
| 21 | #N/A | CABLE CLAMP V0 MAGIC ESP COMBI UL | | 148600600 |
| 22 | 129670202 | Screw, M3.5x16, Tcb, D=8 | | |
| 23 | #N/A | SINTERED BUSH FOR MOTOR | | 9121.046 |
| 24 | 148380200 | Washer, Vspresso, D=5 | | |
| 25 | 146000759 | Gear, Brew Drive Motor, 12/90 | | |
| 26 | NE05042 | Microswitch, Brew Group Sensor | | |
| 27 | NE05038 | Switch, Brew/Dump, Magic | | |
| 28 | 9121068150 | Gear, Brew Drive Motor, Vienna | | |
| 29 | 9161200920 | Cover, BrewDrive Motor, Vienna | | |
| 30 | 126838017 | Retaining Clip, Sensor | UP TO S/N. 9004SA40074124 | |
| 31 | 129573202 | Screw, M4x8, Uni 8112, Tcb | | |
| 32 | 126838217 | Spring, Fixing sensor | FROM S/N. 9004SA40074125 | |
| 33 | 288582200 | Temperature Sensor, Assembly | | |

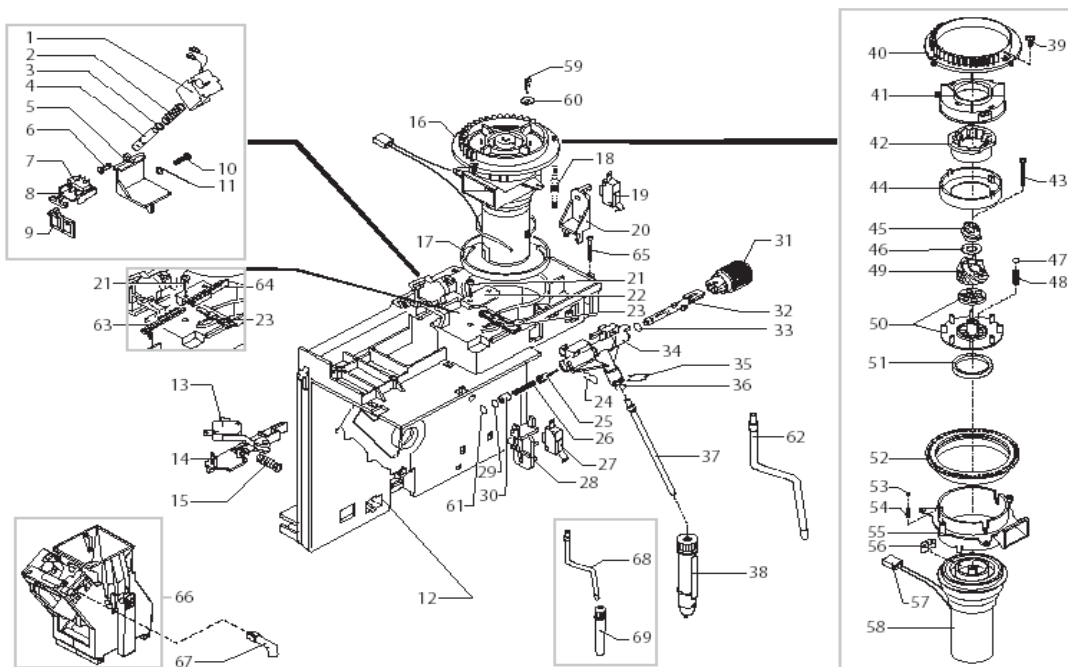
Vienna Plus Silver



| POS | SAECO No. | SUP018M Vienna Plus Silver E74019 Rev. 11 Code: 10003178 | NOTES | Special Order No. |
|--|-----------|--|--|-------------------|
| Yellow = Not Available unless Special Ordered | | | | |
| 34 | 129932202 | Screw, M5x20, Znp, Galvanized | UP TO S/N. 9008SR40104168 | |
| | 129932502 | Screw, M5X30,UNI,7688,ZNP | FROM S/N. 9008SR40104169 | |
| 35 | 229452100 | Compensation/Sfty Valve, Assy | | |
| 36 | 189428200 | Thermostat, 175o | | |
| | 189428600 | Thermostat, 175o, Sirius | | |
| 37 | 126838117 | Retaining Clip, 2 Thermostats | | |
| 38 | 90001069 | Protection, Folk Spring, D=4 | | |
| 39 | U310003 | Nut, Self-lock, M5, UNI 7473 | UP TO S/N. 9005SA90278596 | |
| 40 | 145951600 | Insulating Disk, D=16 0.4 mm | | |
| 41 | #N/A | SCREW TCB3,9X9,5 DIN 7981 GALV | | 129517302 |
| 42 | #N/A | CABLE 1 WIRE SIL.BLUE AWG18 + FUSE 120V | | 183361062 |
| 43 | #N/A | FUSE T15 AMP.DELAYED 120V | | 184950200 |
| 44 | #N/A | CONNECTOR AS.TEFLON 2X4 L=480 MM | | 11002649 |
| 45 | 91611320 | Washer, Brew Drive Motor, Myla | | |
| 46 | U044020 | Screw, M5x30, Uni 7688, Znp | | |
| | #N/A | UP TO S/N. 9005SA90278596 | | |
| | 129932502 | GALVANIZDE SELF DRILLING SCREW 5X30 | FROM S/N. 9005SA90278597 | |
| 47 | 227900320 | Support, Outlet Valve, 2 holes | | |
| 48 | 9161206 | Screw, Spacers, For Boiler | | |
| 49 | 123453902 | Nut, Self-lock, M5, 8 Din 980 | UP TO S/N. 9008SR40104168 | |
| 50 | #N/A | SPARES KIT SUPPORT BOILER M5000 | UP TO S/N. 9005SA90278596 | 20000203 |
| | 149197900 | Plastic Support, Boiler | From.S/N.9005SA90278597 UP TO S/N.9008SR40104168 | |
| | #N/A | V2 SUPPORT FOR ALUM.BOILER TYPE M5000 | FROM S/N. 9008SR40104169 | 11011420 |
| 51 | 282058455 | Boiler Assy, Cylinder, 120V | | |
| 52 | 227876800 | Connector,Teflon,2X4 L=235MM | | |
| 53 | #N/A | M CURSOR FOR BOILER VALVE IN PLASTIC | | 9011.099 |
| 54 | 140328059 | O-Ring, Silicone, 2015 | | |
| 55 | 129910103 | Screw, M3,5x15, Hi-Lo | | |
| 56 | 9011132 | Spring, Boiler Pin | | |
| 57 | 90001067 | Plunger, Boiler Valve, SS | | |
| 58 | 227660103 | Needle valve, L=20 | | |
| 59 | 140320459 | O-Ring,Metric,0080-20,Silicone | | |
| 60 | 9011100 | Valve Housing, Boiler, Magic D | | |
| 61 | NM01064 | O-Ring, Silicone, 0090-20, Nsf | | |
| 62 | NM01066 | O-Ring, Silicone, 0050-20, Fda | | |
| | #N/A | ALUM.BOILER 120V AS.WITH RESISTANCE | | 282132855 |

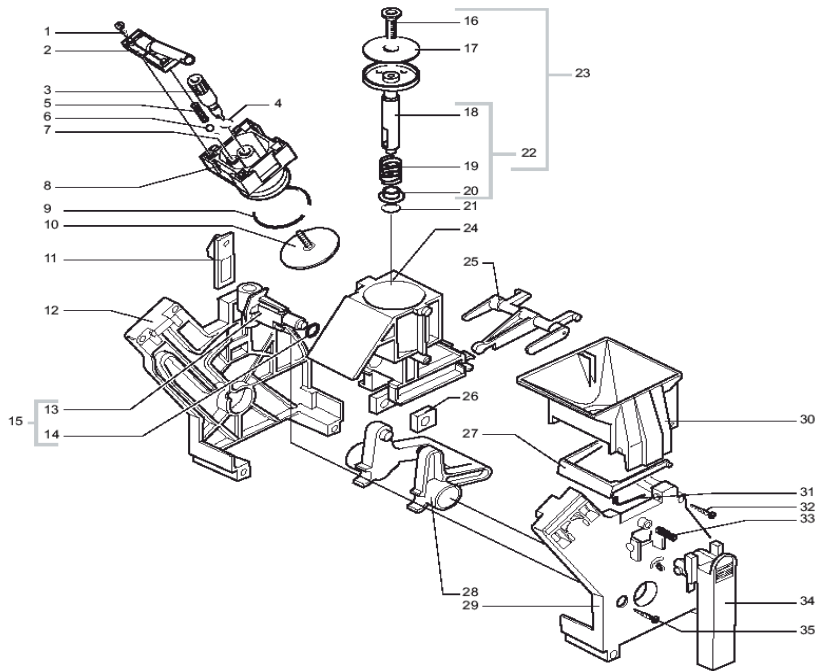
Vienna Plus Silver

E77019 Rev. 11
 Brew Group E90050 Rev. 02
 Brew Group E90026 Rev. 03
 Brew Group E90023 Rev. 03



| POS | SAECO No. | SUP018M Vienna Plus Silver E74019 Rev. 11 Code: 10003178 | NOTES | Special Order No. |
|--|------------|--|-------------------------------|-------------------|
| Yellow = Not Available unless Special Ordered | | | | |
| 37 | 229380908 | ST.STEEL STEAM TUBE L=137,66 S5000 ASSY. | | |
| 38 | 9990002 | PANNARELLO AS. BLACK PLASTIC | | |
| | #N/A | PANNARELLO AS. GREY /SPIDEM PLASTI | | 147430161 |
| | #N/A | PANNAR_ASS.INT.PLASTIC EXT.CHROM. | | 227430600 |
| 39 | 129511803 | SCREW TCB 2,9X6,4 DIN 7981 NICK | | |
| 40 | 148650250 | SECTOR GEARGRIND ADJUSTM. KNOB COMBI | | |
| 41 | 149186150 | BLACK UPPER GRINDER SUPPORT MAGIC | | |
| 42 | #N/A | PARTICULAR NOT AVAILABLE | SEE PART. N°49 | |
| 43 | 80001011 | TORX SCREW T10 TCB 3,5X40 SX ZNG | | |
| 44 | 142844550 | UPPER GRINDER COVER COFF. GRIND. MAGIC | | |
| 45 | 9141030 | INCREASE SCREW PIN COFF. GRINDER MAGIC | | |
| 46 | U201002 | PLAIN WASHER 10X16X0,2DIN 988 GAL | | |
| 47 | NM06002 | STAIL STEEL AISI 304 SPHERE D=5,5MM | | |
| 48 | 9141032 | STEEL SPRING SPHERS D=5,5 MOTOR MAGIC | | |
| 49 | 226473500 | KIT TECNA GRINDERS | WITH PART. N°42 | |
| 50 | 9141044 | CONICAL GRIND. SUPP. + RING MAGIC | | |
| 51 | 9141034 | FELT RING 40X34X5 | | |
| 52 | 9141017 | RING NUT FOR GRINDING ADJUSTM. MAGIC | | |
| 53 | NM06003 | STAIL STEEL AISI 304 SPHERE D=3,2MM | | |
| 54 | #N/A | NEW SPRING SPHERE D=3,2 MOTOR MAGIG | | 126770117 |
| 55 | 9141043 | SHOCK ABS .CONICAL GRINDER SUPP.MAGIC | | |
| 56 | #N/A | GRINDER MOTOR SUP.BLACK MAGIC | | 149186350 |
| 57 | #N/A | 2 P.CONN.AS. COFF.GRINDJP1 CA 120V | | 283542600 |
| 58 | #N/A | MOTOR AS. NEW MAGIC DE LUXE 120V | | 286851855 |
| 59 | 129670202 | PANE. TCB SCREW 3,5X16 TESTA D=8 Z | | |
| 60 | U207004 | PLAIN WASHER 4,3X16 UNI 6592 GAL | | |
| 61 | 140328161 | OR D=3,85 X 1,90 IN EPDM | | |
| 62 | #N/A | CHROMED STEAM TUBE AS.L=125,88 S5000 | | 229380908 |
| 63 | #N/A | TOOTHED SLIDE FOR DOSE ADJUST GEAR | | 148740450 |
| 64 | 147571850 | Adj Mount, Doser, V. Digital | | |
| 65 | #N/A | SCREW PANELVIT TCB 3X38 DIN 7505 ZN | | 129661502 |
| 66 | 9160027150 | Brew Group, Vienna | SEE EXPL. COD. E90050 Page 13 | |
| | #N/A | | | |
| | #N/A | NOTE: FOR SINGLE PAR. OF THE OLD GROUP | | |
| | #N/A | COFFEE' GREY | | |
| | #N/A | SEE EXPL.COD.E90023 (MOD. WITHOUT HOLE) | Page 14 | 225800559 |
| | #N/A | SEE EXPL.COD.E90026 (MOD. WITH HOLE) | Page 15 | |
| 67 | 11006983 | Outlet Elbow, Black Vent | | |
| 68 | #N/A | ST.STEEL STEAM TUBE AS.L=104,88 M5000 | | 11001601 |
| 69 | 227431250 | Pannarello Assy, Black | | |

Vienna Plus Silver



| POS | SAECO No. | Brew Group Old Gray M5000 with hole E90026 Rev.03 Cod:225800559 | NOTES | Special Order No. |
|--|-----------------------|---|-------|-------------------|
| Yellow = Not Available unless Special Ordered | | | | |
| 1 | U140019 | Screw, M3x16, Din 7505, Tcb | | |
| 2 | 311024150 | Outlet Flange, Brew Group, Vie | | |
| 3 | 0701R05150 | Thumbscrew, Long Blk, Old style | | |
| 4 | NM02006 | O-Ring, Epdm, R5, Thumbscrew | | |
| 5 | 9161222 | Spring, Brew Group | | |
| 6 | 9991168 | Seat, Glass, Brew Group, Magic | | |
| 7 | NM02013 | O-Ring, Epdm, 0080-15, Brew Gr | | |
| 8 | 9161193150 | Piston, Tamp, Brew Group, Mag | | |
| 9 | NM01044 | O-Ring, Silicone, 0320-40 | | |
| 10 | 9161212 | Filter Screen, Upper, 35.8 Mag | | |
| 11 | #N/A | BLACK PLATE FOR UNIT COFFE COUPLING | | 147572550 |
| 12 | #N/A | GREY REAR PLATE FOR UNIT | | 9161.070.150 |
| 13 | 9161064150 | Coupling, Water Inlet, Brew Gr | | |
| 14 | NM02007 | O-Ring, Epdm, 2025 | | |
| 15 | #N/A | SPARE SLEEVE UNIT GREY | | |
| 16 | U044012 | Screw, M3x14, Uni 7687 | | 0301.R04.150 |
| 17 | 9161167 | Filter Screen, Lower, 35.8 Dia | | |
| 18 | #N/A | NEW PISTON WITH INSERT BLACK | | 9161.211.050 |
| 19 | #N/A | SPRING FOR PISTON | | 9161.198 |
| 20 | #N/A | BUSH FOR PISTON NEUTRAL | | 9161.191 |
| 21 | NM02018 | O-Ring, Epdm, 0090-25, Orm | | |
| 22 | 9161210150 | Piston, Brew Group, Magic | | |
| 23 | #N/A | SPARE PISTON UNIT NEW BLACK | | 0301.R16.050 |
| 24 | #N/A | COMPLETE CONTAINER FOR UNIT GREY | | 9161.195.150 |
| 25 | #N/A | Connector Rod, Brew Group | | 9161.065.150 |
| 26 | #N/A | DRILLED BLACK BLOCK FOR UNIT | | 9161.094.050 |
| 27 | #N/A | GREY SCRAPER FOR COFFEE UNIT | | 9161.060.150 |
| 28 | #N/A | ELBOW SHAFT FOR UNIT GREY | | 9161.066.150 |
| 29 | #N/A | GREY FRONT PLATE FOR UNIT | | 9161.071.150 |
| 30 | #N/A | GREY HOPPER FOR PRESS UNIT | | 9161.123.150 |
| 31 | #N/A | SPRING FOR UNIT SCRAPER | | 9161.046 |
| 32 | #N/A | SS.SCREW AUT.TCB 3,5X19 DIN 7981 C | | U109.026 |
| 33 | 9161045 | Spring, Chute, Brew Group | | 9161.045 |
| 34 | #N/A | Handle, Brew Group, Magic | | 9161.069.150 |
| 35 | #N/A | SS.SCREW AUT.TCB 2,9X19 DIN 7981 C | | U109.027 |
| 37 | 311023150 11006983 | Outlet Elbow, Gray, Vent Outlet Elbow, Black vent | | |

