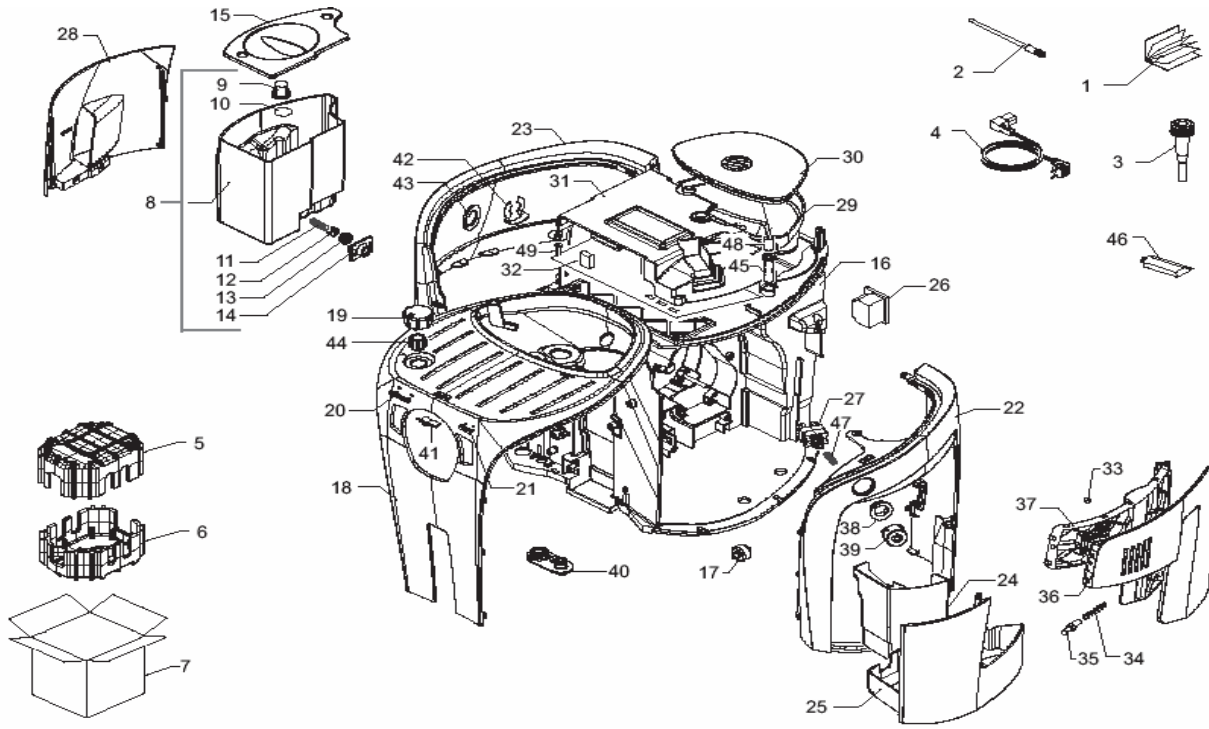


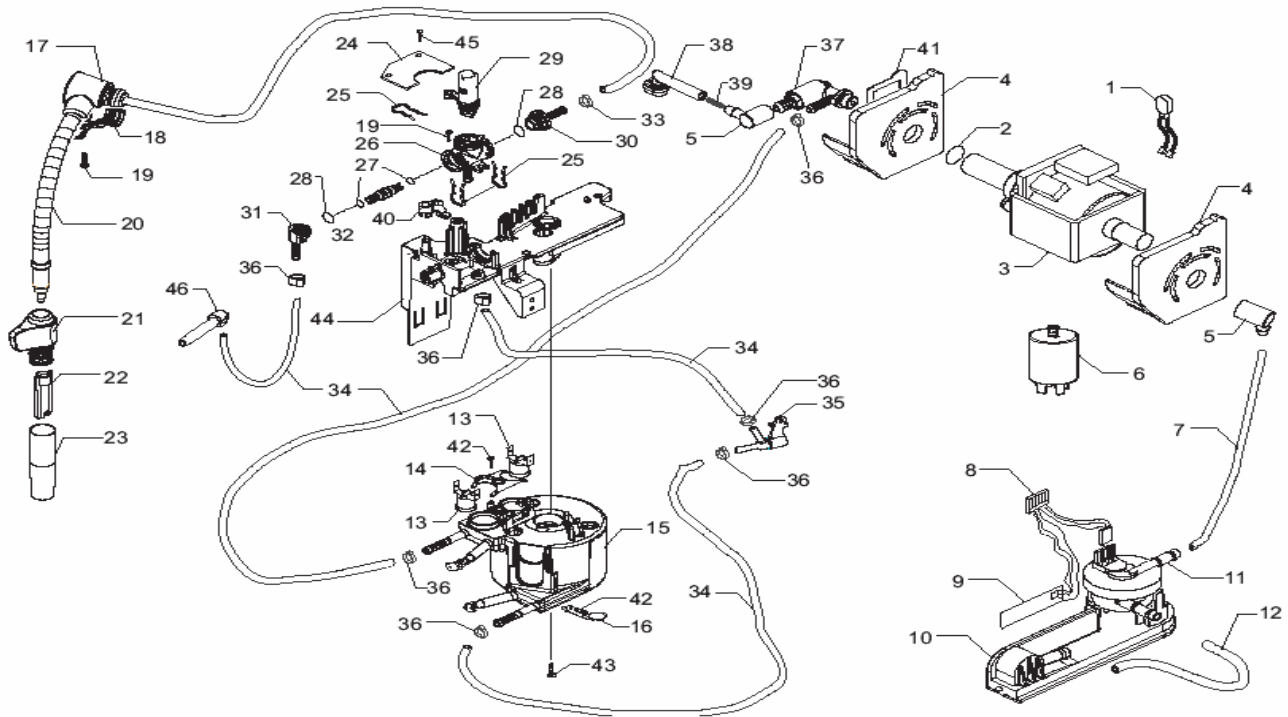
# Odea Go



POS	SAECO No.	SUP0310 Odea Go E74102 Rev.01 Cod 10001592	NOTES	Special Order No.
<b>Yellow = Not Available unless Special Ordered</b>				
1	N/A	MANUAL INSTRUCTIONS SAECO P0049/A GB/F		15000721
2	127390100	Brush, Cleaning		
3	11003785	Grinder Adjustment Key, Black		
4	183921950	Cord, Electrical		
5	N/A	UPPER TECHMATE INSERT FOR BOX P0049		13000123
6	N/A	LOWER TECHMATE INSERT FOR BOX P0049		13000122
7	13000124	Box, Odea		
8	11001746	Water Tank, Odea		
9	90001003	Filter, Water Tank		
10	90001004	O-Ring, Metric, Efdm, 0019-10		
11	11003672	Spring, Water Tank Valve P0049		
12	11003673	Valve, Insert, Water Tank		
13	11003671	Valve, Water Tank		
14	11001298	Lid, Duckbill Valve, Blk		
15	11001308	Lid, Water, Odea		
16	11004687	Pin Assy, Mounting Plate		
17	11000223	Black Wheel, Casing Bottom		
18	1004381	Cover, Silver		
19	11004374	Knob, Steam-Water, Odea Go		
20	N/A	SILVER PLATE LOGO SAECO NEW P0049/P0053		11004142
21	N/A	BLACK PLATE WITH LOGO ODEA P0049 GO		11004907
22	11004575	Right Side Casing		
23	11004576	Left Side Casing		
24	11003533	Dump Box, Black		
25	11004579	Drip Tray, Brew Group		
26	N/A	CUP SOCKET EN 60320 C 13		12000280
27	11000592	Switch, SAIA 3292		
28	11004591	Outlet Cover, Water Tank		
29	11001293	Bean Hopper		
30	11001762	Lid, Bean, Odea Giro		
31	N/A	BLACK POWER BOARD PROTECTION P0049		11002842
32	11003968	Power Board, I/O		
33	N/A	MAGNET FOR FLOAT SUPERAUTOM.		9161.111
34	N/A	SPRING FOR LOCK P0049		11001362
35	N/A	BLACK DOOR PIN P0049		11001340
36	11004578	Right Side Door, Odea Giro		
37	N/A	BLACK INSIDE COVER DOOR P0049		11001091
38	N/A	CARBONA ON-OFF BUTTON INSERT P0049	s/n 9006SA40321783	11004592
39	11004378	Switch, On/Off, Odea Go		
40	N/A	BLACK CAP FOR CONNECTIONS P0049/P0053		11001437
41	11001339	Transplate, Infrared		
42	90001042	Spring, Folk, Italia		
43	N/A	STEAM TUBE WASHER P0049		11001624
44	11005287	Brush, Steam Knob, Black		
45	N/A	BLACK REED SENSOR SUPPORT P0049		11003154
46	N/A	SILICONE GREASE CONNECTIONS		1501.098
47	N/A	SPRING FOR ON-OFF BUTTON P0049	From s/n 9007SA40240634	11005040
48	N/A	2POLES CONNECTOR SENSOR REED DOOR P0049		11003869
49	N/A	SCREW PT TORX 3X10 WN 1411 GALVANIZ		129912702

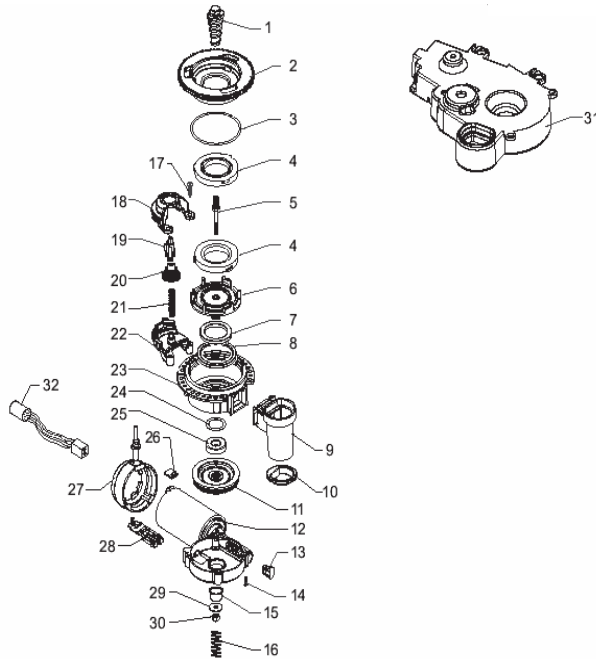


# Odea Go



POS	SAECO No.	SUP0310 Odea Go E74102 Rev.01 Cod 10001592	NOTES	Special Order No.
<b>Yellow = Not Available unless Special Ordered</b>				
1	N/A	2POLES CONNECTOR PUMP P0049 UL 100-120V		11005668
2	140321961	O-Ring, Epdm, 2031		
3	12000131	Pump, Ulka, 120V, 60Hz		
4	11001365	Pump Support, Black		
5	147920150	Fitting, 90o, Pump Inlet		
6	12000005	Antidisturbance Filter		
7	149360200	Tube, Silicone, D=8x10		
8	11005648	6-Pole Connector, Flowmeter		
9	11000651	Board, Water Level Sensor		
10	N/A	BLACK TURBINE SUPPORT/V2 P0049		11003670
11	NV99099	Turbine Assy		
12	JS01022	Tube, Silicone, 5x10, L=156		
13	189428600	Thermostat, 175o, Sirius		
14	N/A	THERMOSTATES SPRING FOR BOILER		11001751
15	11005608	Boiler Assy, 120V		
16	190800100	Temp Sensor, L=280mm		
17	11004196	Cover, Upper Steam Tube, Chrom		
18	11004197	Cover, Lower Steam Tube, Chrom		
19	129912202	Screw, M3x12, Torx, Uni 9786		
20	11003122	Steam Tube Assy, P0049		
21	11001625	Handario, Steam Wand		
22	11001620	Internal Tube, Pannarello		
23	11001769	Pannarello, Black		
24	20000653	Spares Kit, CPU P0049	Up to s/n 9006SA40301265 FROM S/N. 9006SA40301266	
25	11004842	PCB, Valve, Strm/Water V1-V5		
26	11001499	Spring, Fork, Faucet P0049		
27	11004625	Faucet, Tea/Brass, P0049		
28	12000541	O-ring, Or=2012		
29	12000042	O-ring, 108, FDA, 70 SH		
30	11004135	Faucet Shaft Assy		
31	11001546	Straight Connector, Faucet Bod		
32	11001544	Connector, Faucet Body		
33	11004134	Faucet Body, Brass		
34	90001083	Tube Clamp, Oetiker		
35	16000190	same P.N. with Odea Giro		
36	N/A	BLACK CONNECTOR FOR PIN BOILER P0049		11001330
37	12000361	Oetiker clip D=9		
38	N/A	SAFETY VALVE 16-18 BAR P0049 ASSY		11004689
39	N/A	PUMP DESCARGING WATER CONNECTION P0049		11001629
40	N/A	DESCARGING WATER CONNECTION SPRING P0049		11005003
41	11003047	Faucet, Body Insert, P0049/A		
42	1004776	Steel Bracket, Pump Support		
43	129573202	Screw, M4x8, Uni 8112, Tch		
44	129932502	Screw, M5X30, UNI, 7688, ZNP		
45	N/A	SUPPORT FOR BOILER-FAUCET-VALVE P0049		11001332
46	N/A	SCREW PT TORX 3X10 WN 1411 GALVANIZ		129912702
	11001630	Water Connection, Milk Island		
	11001549	Faucet Assembly With part #25,26,27,28,29,30,31,32		
	11005774	Boiler, Alum, P0049/A 120V		

# Odea Go



POS	SAECO No.	SUP0310 Odea Go E74102 Rev.01 Cod 10001592	NOTES	Special Order No.
<b>Yellow = Not Available unless Special Ordered</b>				
1	9141001	Worm Gear, Grinder, 5P/7P		
2	149198250	Support,Upper Grinder		
3	140328960	O-Ring, Metric, Efdm. 0530-15		
4	146520100	Grinder Burr, Ceramic, Sirius		
5	127473603	Pin,Steel M4-M6		
6	N/A	LOWER GRINDER SUPPORT COFFEEGRINDER		149198350
7	123030300	Bearing, Axial EKKO 342.35252		
8	140360500	Felt Ring,45,4x39,4x4		
9	222870250	Preground Chute		
10	145854462	Gasket, Dosing Chamber		
11	226000300	Gear, Grinder Motor		
12	11000511	Motor, Coffeegrinder/Assy 120V		
13	N/A	CAP FOR WORM SCREW MC/V3 CENTRING		149214800
14	N/A	PANELVIT ICB SCREW 3,5X25 D,7505 ZN		129661702
15	11002873	Bushing Insulator,Grinder Mot.		
16	11000597	same P.N. with Odea Giro		
17	80001013	Screw, M3,5x18, Din 7505, Zinc		
18	N/A	UPPER GEAR SUPPORT COFFEEGRINDER P124		11002508
19	N/A	BLACK INSERT FOR COFFEE GRINDER P0049		11003446
20	N/A	COFFEE GRINDING ADJUSTMENT GEAR P0049		11003784
21	N/A	GRINDER REGULATION SPRING P124		11002572
22	N/A	LOWER GEAR SUPPORT COFFEEGRINDER P124		11002613
23	N/A	SWITCH+SOCKET POWER CABL SUPP.SMART		149205450
24	N/A	CRINKLE WASHER 21,8X15,8X0,2		128381800
25	N/A	RADIAL BEARING 61900.2RS1		123030200
26	181540900	Electronic Board, With Sensor		
27	11001367	Support,Rubber Blk,Coff Grind		
28	149199050	Sensor Support, Grinder Motor		
29	N/A	GALVAN,FLAT WASH,DI=4,3 DE=14 SP=1,5		128381902
30	123453102	Nut, Self-Lock, M4 Din 982		
31	11001826	Cover, Grinder, (Soundproof)		
32	11005658	5-Pole Connector		
	11005606	General Motory Assy		



